

REV	MCO	DWN	DATE
A	20194372	DRS	10-JUL-06
B	20203905	OCM	18-OCT-06

ADC USA TRIAX JACK
CATALOG SERIES TCJ-XXX
(KINGS/LEMO 4A)
(SOLD SEPARATELY)

ADC GLOBAL TRIAX JACK
CATALOG SERIES GTCJ-XXX
(FISCHER 1051)
(SOLD SEPARATELY)
REQUIRES ADAPTOR GTCJ-YA
(SOLD SEPARATELY)

ADC TRIAX MOUNTING KIT
CATALOG SERIES TCM45-KIT-XX
(SOLD SEPARATELY)

ADC TRIAX MOUNTING KIT
CATALOG SERIES TCM-KIT-XX
(SOLD SEPARATELY)

ADC BBC TRIAX JACK
CATALOG SERIES BTCJ-XXX
(LEMO 4M)
(SOLD SEPARATELY)

ADC REVERSE BBC TRIAX JACK
CATALOG SERIES NTCJ-XXX
(LEMO 4E)
(SOLD SEPARATELY)

ADC FRENCH TRIAX JACK
CATALOG SERIES LTCJ-XXX
(LEMO 3T)
(SOLD SEPARATELY)
REQUIRES ADAPTOR LTCJ-YA
(SOLD SEPARATELY)

ADC USA TRIAX PLUG
CATALOG SERIES TCP-XXX
(KINGS/LEMO 4A)
(SOLD SEPARATELY)

ADC GLOBAL TRIAX PLUG
CATALOG SERIES GTCP-XXX
(FISCHER 1051)
(SOLD SEPARATELY)

ADC BBC TRIAX PLUG
CATALOG SERIES BTCP-XXX
(LEMO 4M)
(SOLD SEPARATELY)

ADC REVERSE BBC TRIAX PLUG
CATALOG SERIES NTCP-XXX
(LEMO 4E)
(SOLD SEPARATELY)

ADC FRENCH TRIAX PLUG
CATALOG SERIES LTCP-XXX
(LEMO 3T)
(SOLD SEPARATELY)

**MOUNTING BRACKET
ADC CATALOG NUMBERS**

	BLACK	GRAY	PUTTY WHITE
HORIZONTAL	TCM-KIT-BK	TCM-KIT-G	TCM-KIT-PTY
45 DEGREE	TCM45-KIT-BK	TCM45-KIT-G	TCM45-KIT-PTY
BLANK PLATE	TRP-2BLANK-BK	TRP-2BLANK-G	-

A

B

C



INFORMATION ON THIS DOCUMENT IS
PROPRIETARY TO ADC AND SHALL
NOT BE USED, COPIED, REPRODUCED
OR DISCLOSED IN WHOLE OR IN PART
WITHOUT WRITTEN CONSENT OF ADC.

ALL DIMS AND TOLERANCES .XX:±xx
ARE INCHES UNLESS .XXX:±xxx
OTHERWISE SPECIFIED ANGULAR:±N/A

DO NOT SCALE DRAWING

TITLE PROAX TRIAX CONNECTORS
MOUNTING SOLUTIONS
INSTALLATION DRAWING

DRAWING NUMBER 1373697

ENGR: K. SKLUACEK
DWN: R. DEMULLING

SHT. 1 OF 7

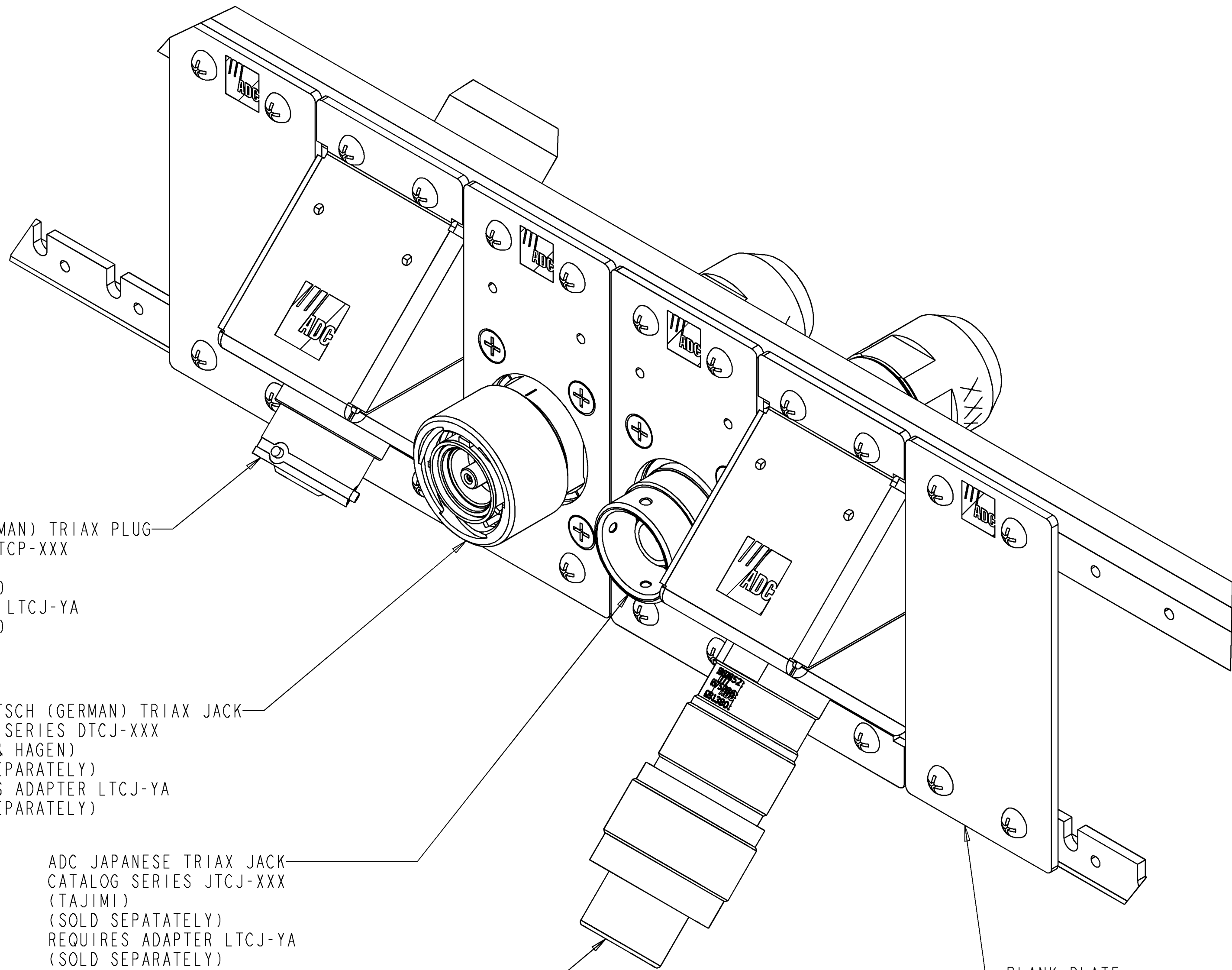
**DIMENSIONS IN INCHES
THIRD ANGLE PROJECTION**

A

B

C

D



ADC DEUTSCH (GERMAN) TRIAX PLUG
 CATALOG SERIES DTCP-XXX
 (DAMAR & HAGEN)
 (SOLD SEPARATELY)
 REQUIRES ADAPTER LTCJ-YA
 (SOLD SEPARATELY)

ADC DEUTSCH (GERMAN) TRIAX JACK
 CATALOG SERIES DTCJ-XXX
 (DAMAR & HAGEN)
 (SOLD SEPARATELY)
 REQUIRES ADAPTER LTCJ-YA
 (SOLD SEPARATELY)

ADC JAPANESE TRIAX JACK
 CATALOG SERIES JTCJ-XXX
 (TAJIMI)
 (SOLD SEPARATELY)
 REQUIRES ADAPTER LTCJ-YA
 (SOLD SEPARATELY)

ADC JAPANESE TRIAX PLUG
 CATALOG SERIES JTCP-XXX
 (TAJIMI)
 (SOLD SEPARATELY)

BLANK PLATE
 SEE TABLE ON SHEET 1



INFORMATION ON THIS DOCUMENT IS
 PROPRIETARY TO ADC AND SHALL
 NOT BE USED, COPIED, REPRODUCED
 OR DISCLOSED IN WHOLE OR IN PART
 WITHOUT WRITTEN CONSENT OF ADC.

ALL DIMS AND TOLERANCES .XX:±.xx
 ARE INCHES UNLESS .XXX:±.xxx
 OTHERWISE SPECIFIED ANGULAR:±N/A

TITLE PROAX TRIAX CONNECTORS
 MOUNTING SOLUTIONS
 INSTALLATION DRAWING

DRAWING NUMBER 1373697

DO NOT SCALE DRAWING

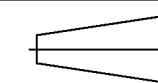
ENGR: K. SKLUACEK
 DWN: R. DEMULLING

SHT. 2 OF 7

A

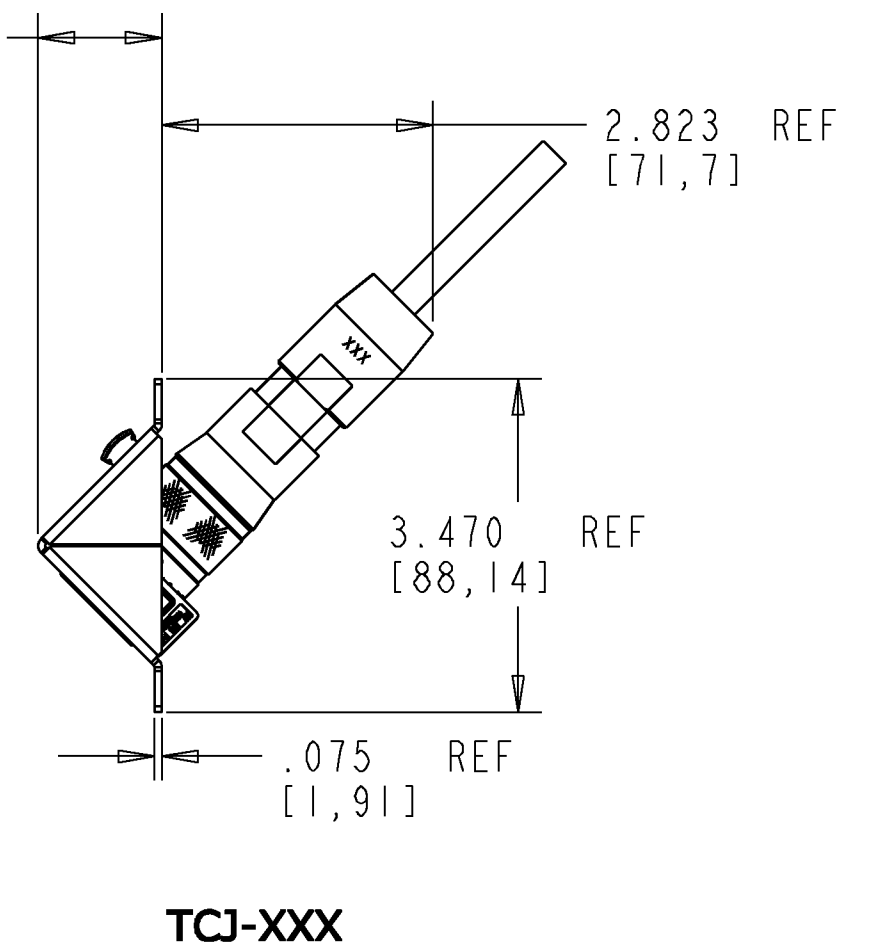
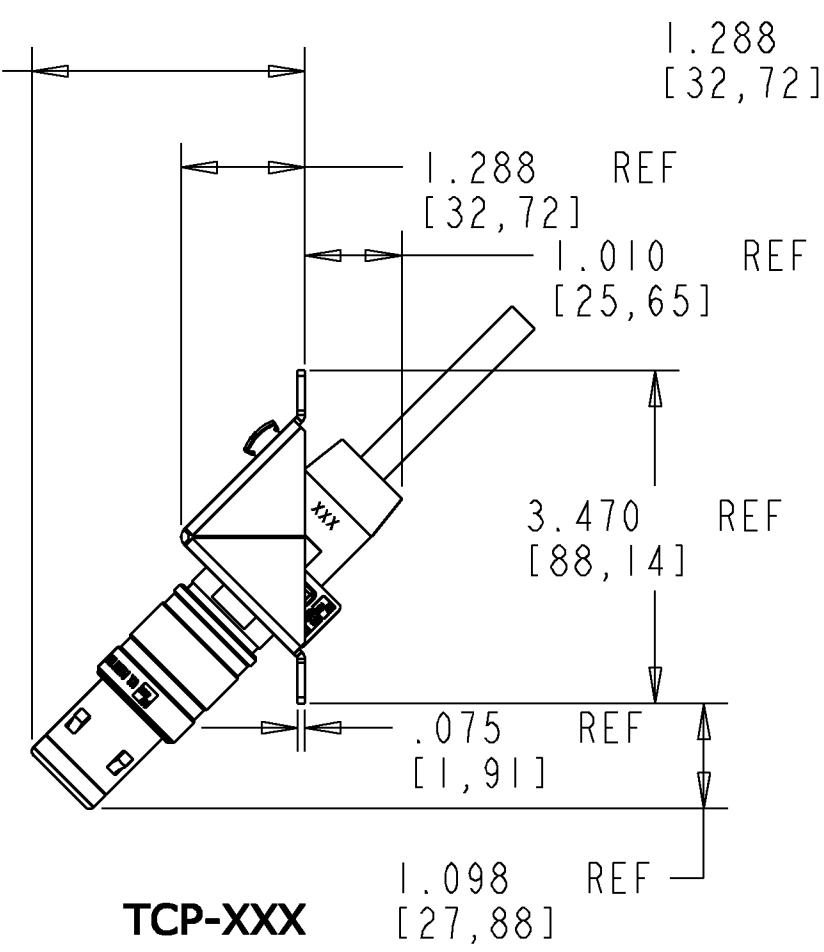
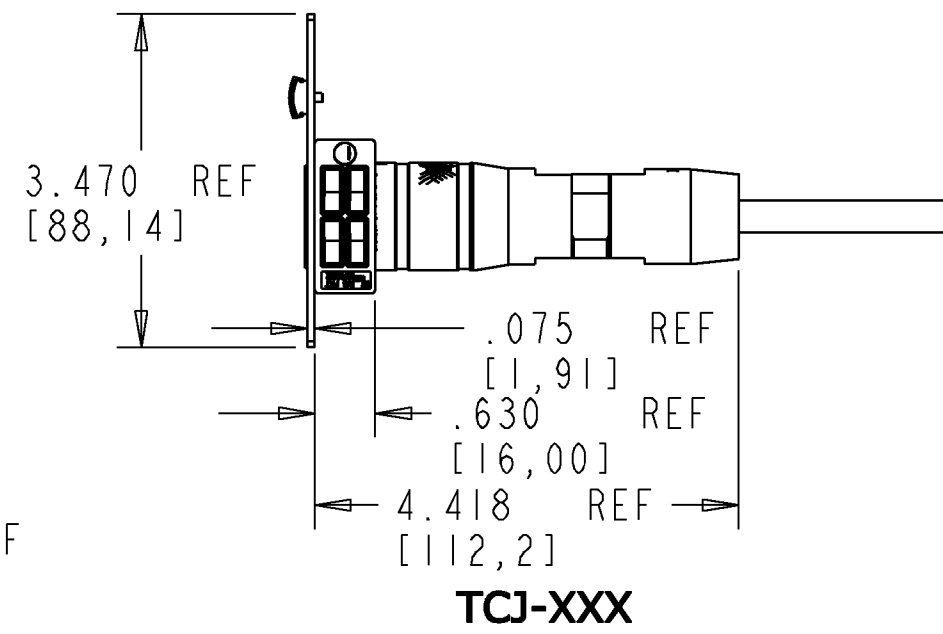
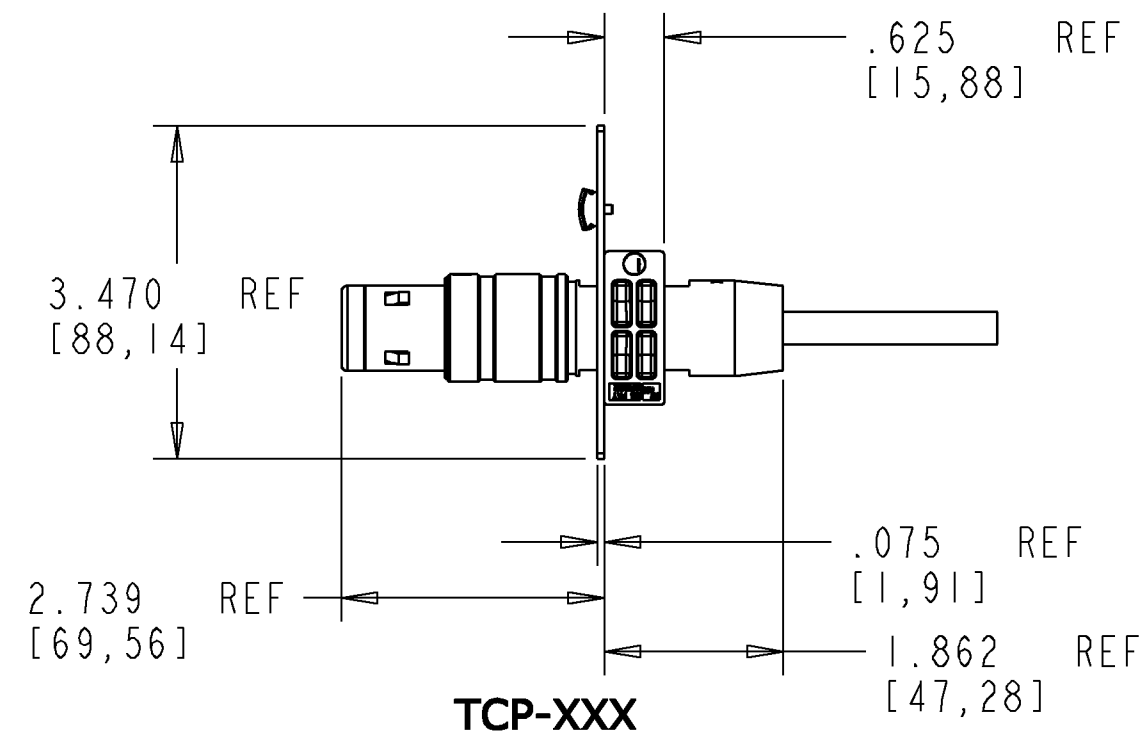
B

C

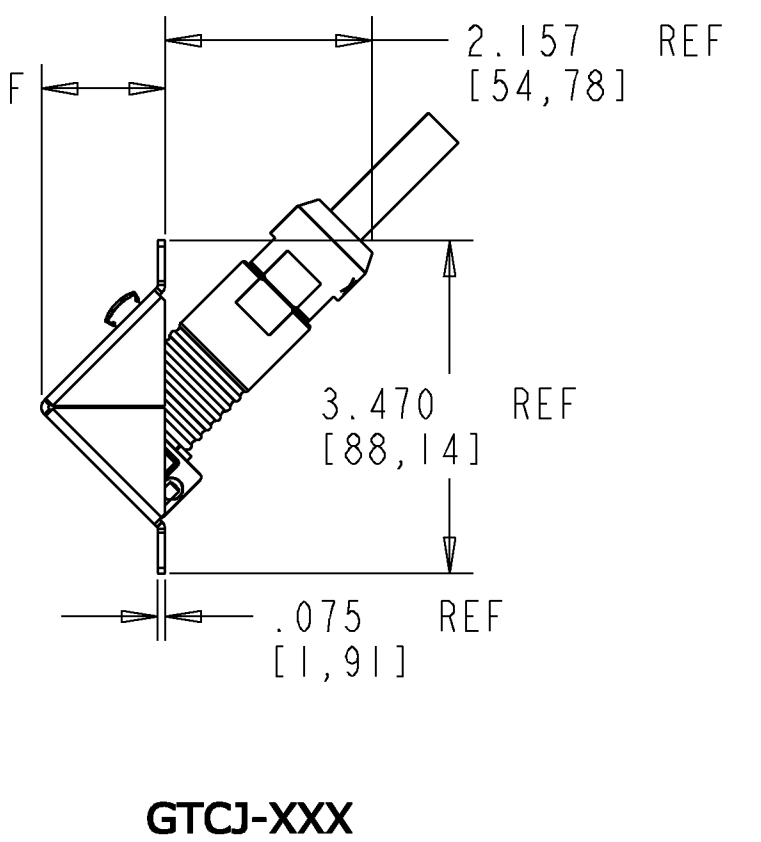
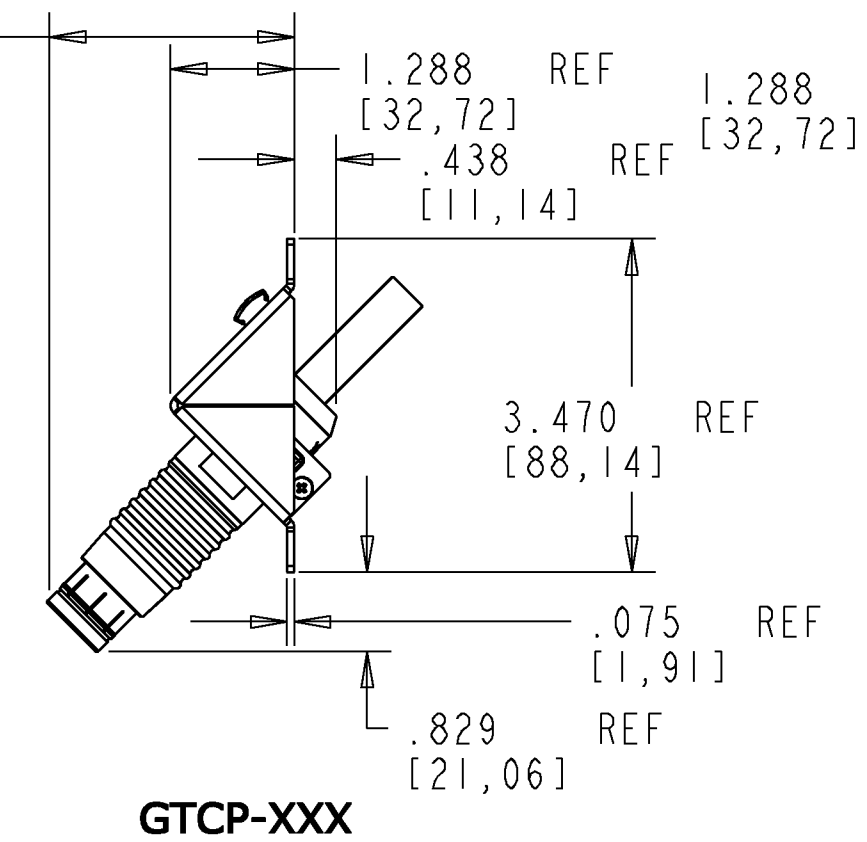
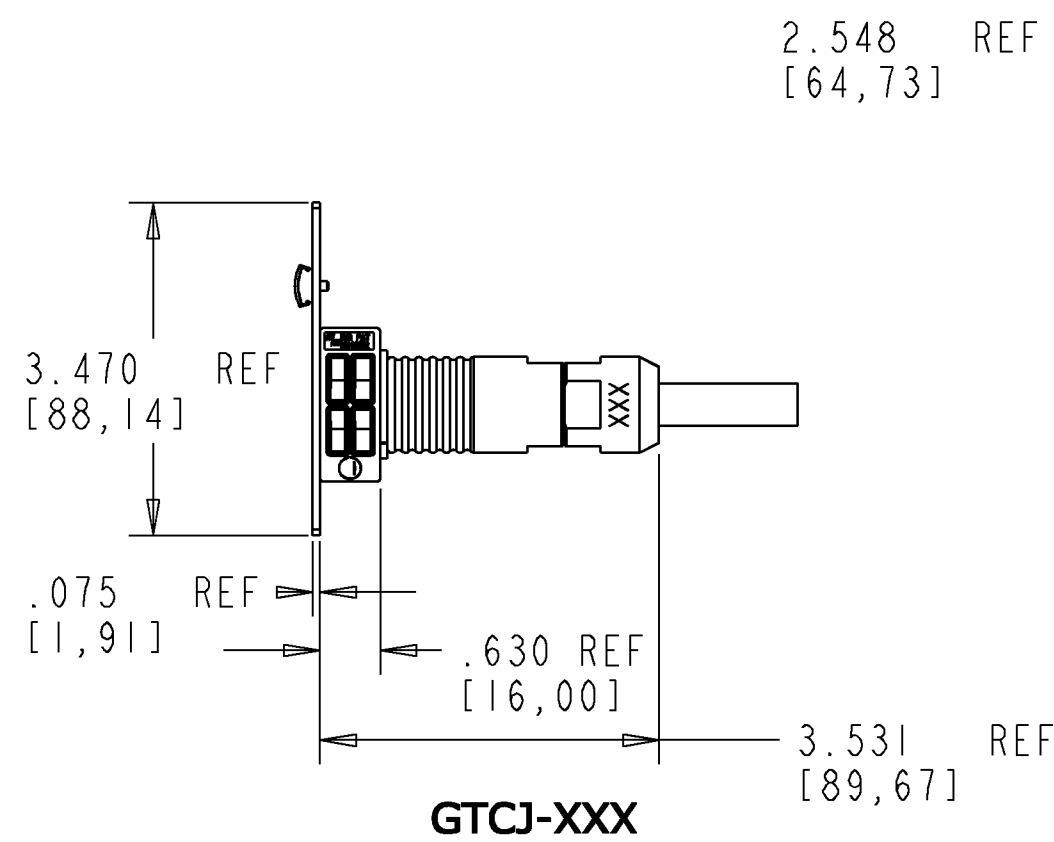
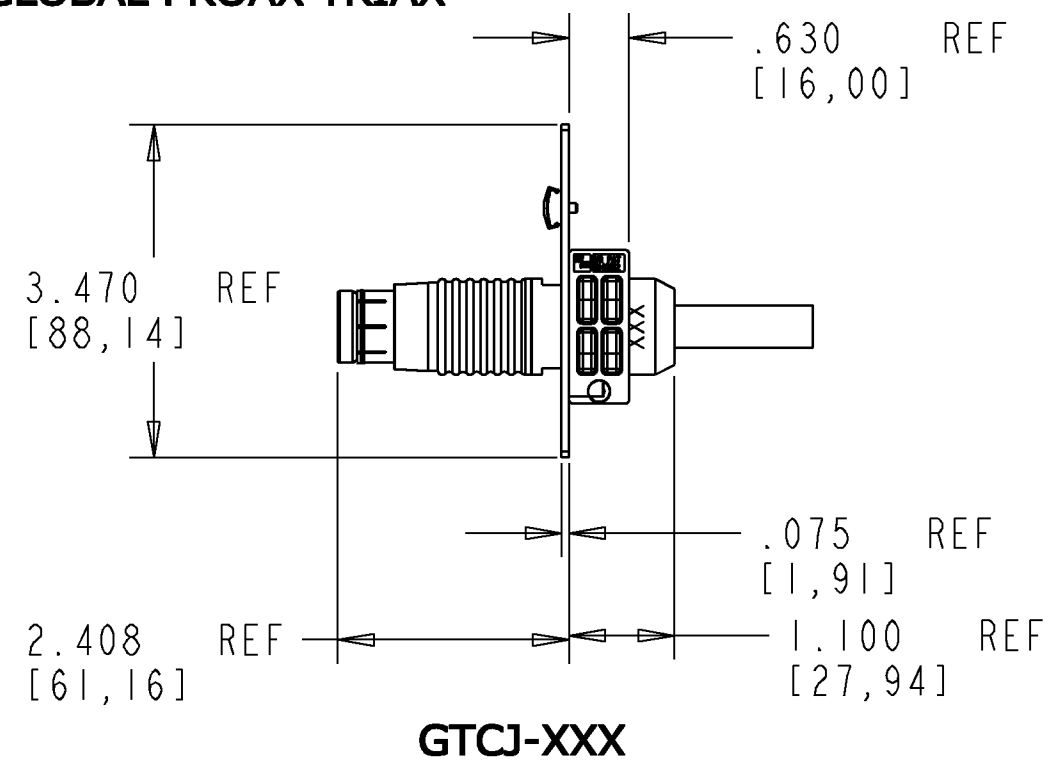


**DIMENSIONS IN INCHES
 THIRD ANGLE PROJECTION**

USA PROAX TRIAX



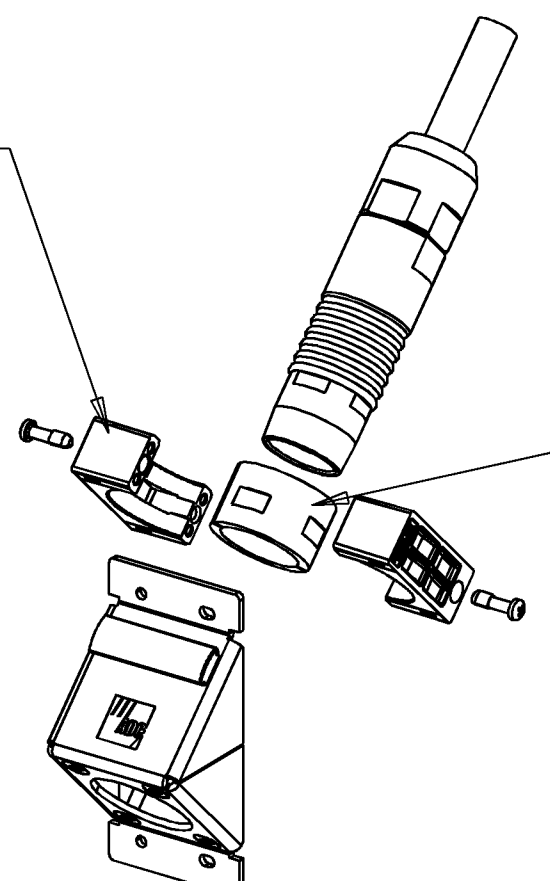
GLOBAL PROAX TRIAX



YOKE CLAMP KITS FOR ADC CATALOG NUMBERS. INCLUDES TWO HALF YOKE PER KIT.

* TCJ-Y	TCJ-XXX BTCJ-XXX NTCJ-XXX **GTCJ-XXX **LTCJ-XXX **DTCJ-XXX **DTCP-XXX **JTCJ-XXX
* TCP-Y	TCP-XXX GTCP-XXX BTCP-XXX NTCP-XXX LTCP-XXX JTCP-XXX

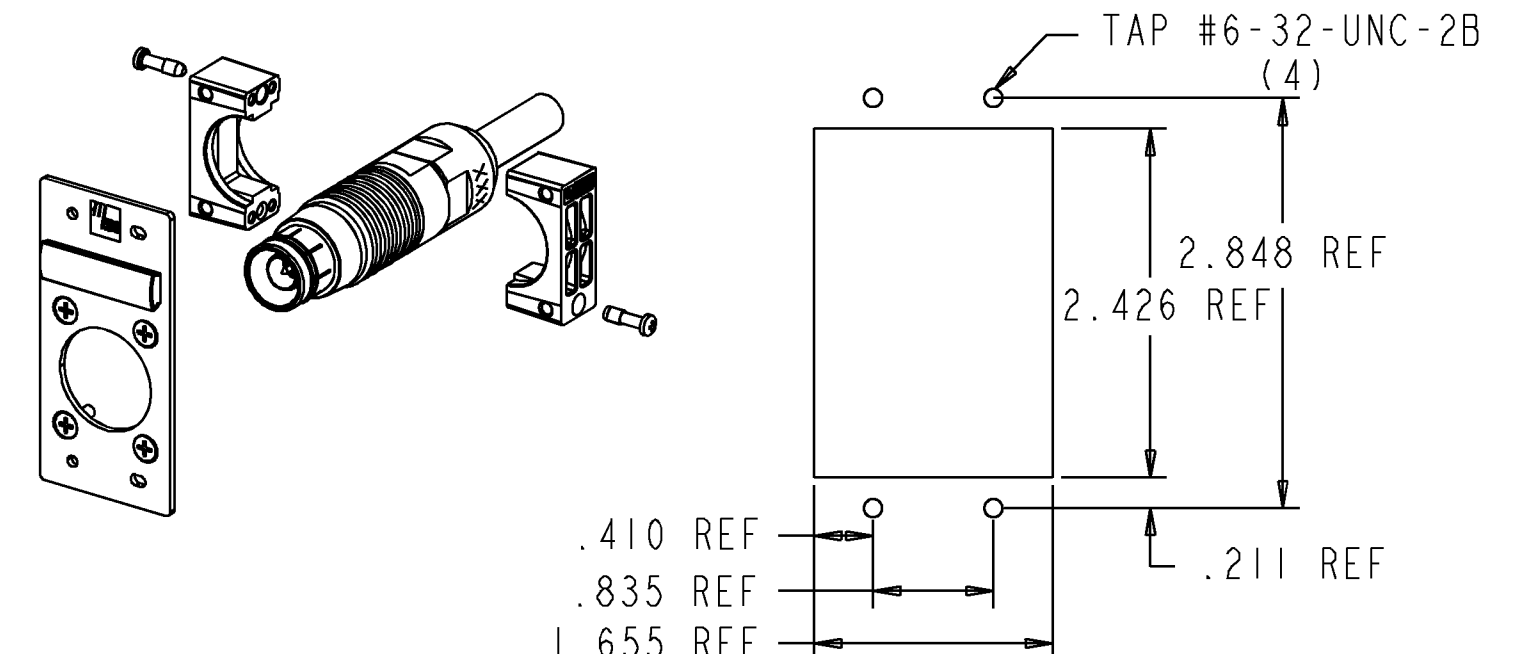
* INCLUDED IN TCM KITS (SEE SHEET ONE)
**REQ'S YOKE ADAPTER



YOKE CLAMP ADAPTOR: USED ONLY ON PROAX TRIAX CONNECTORS SHOWN IN TABLE (SOLD SEPARATELY)

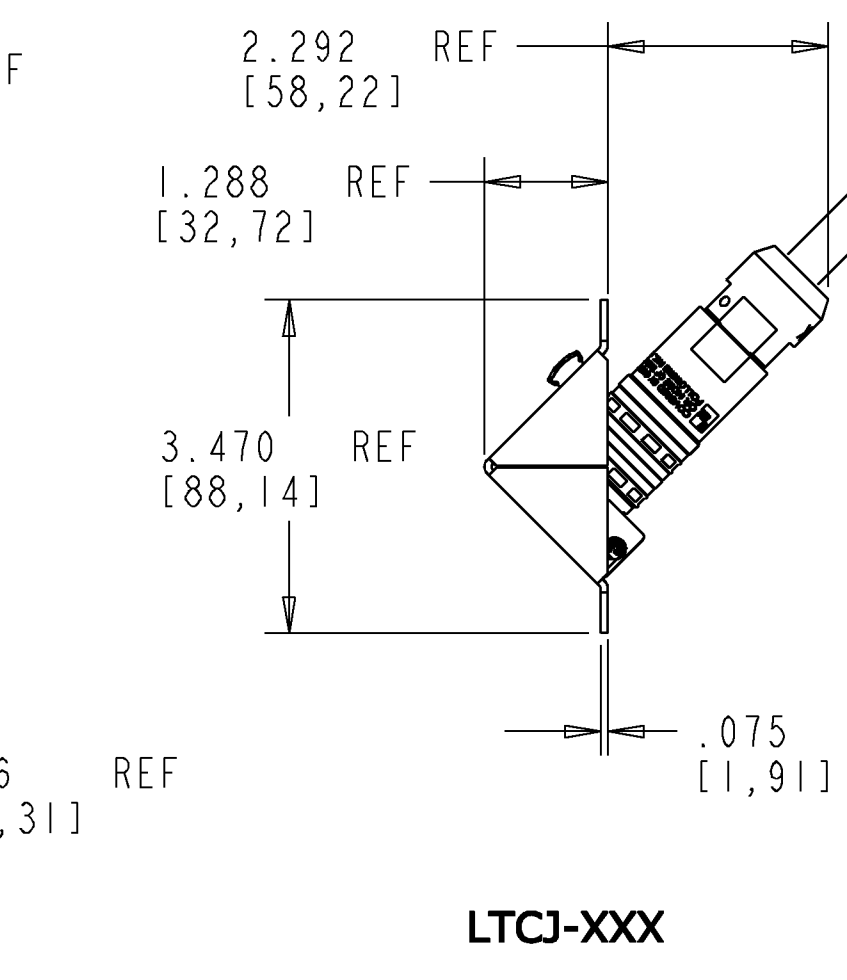
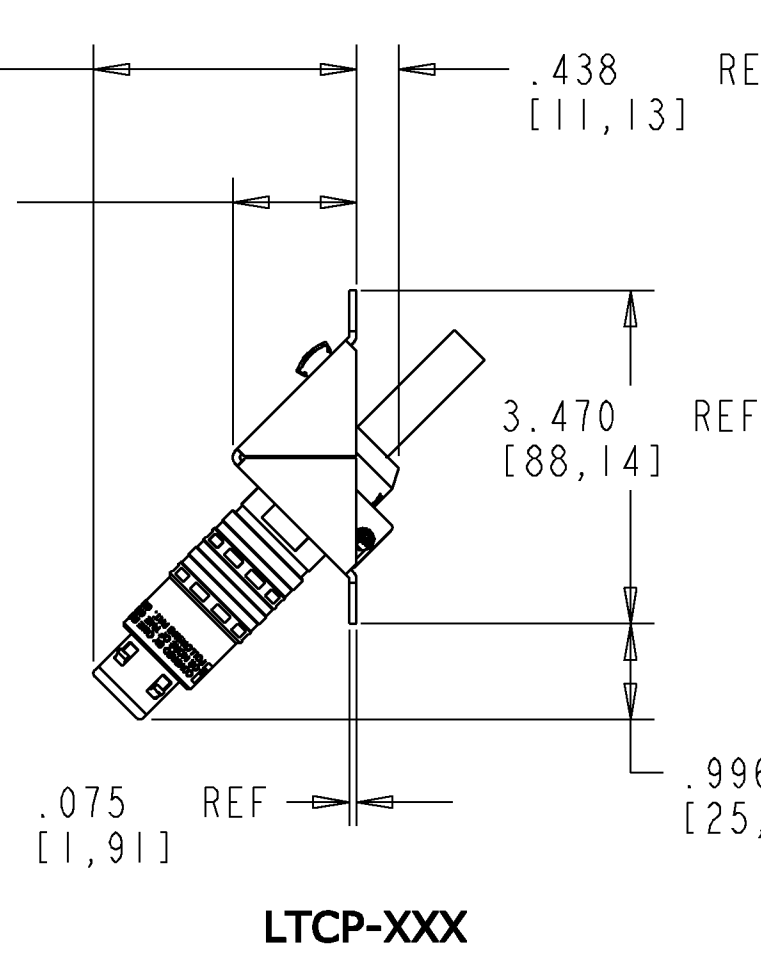
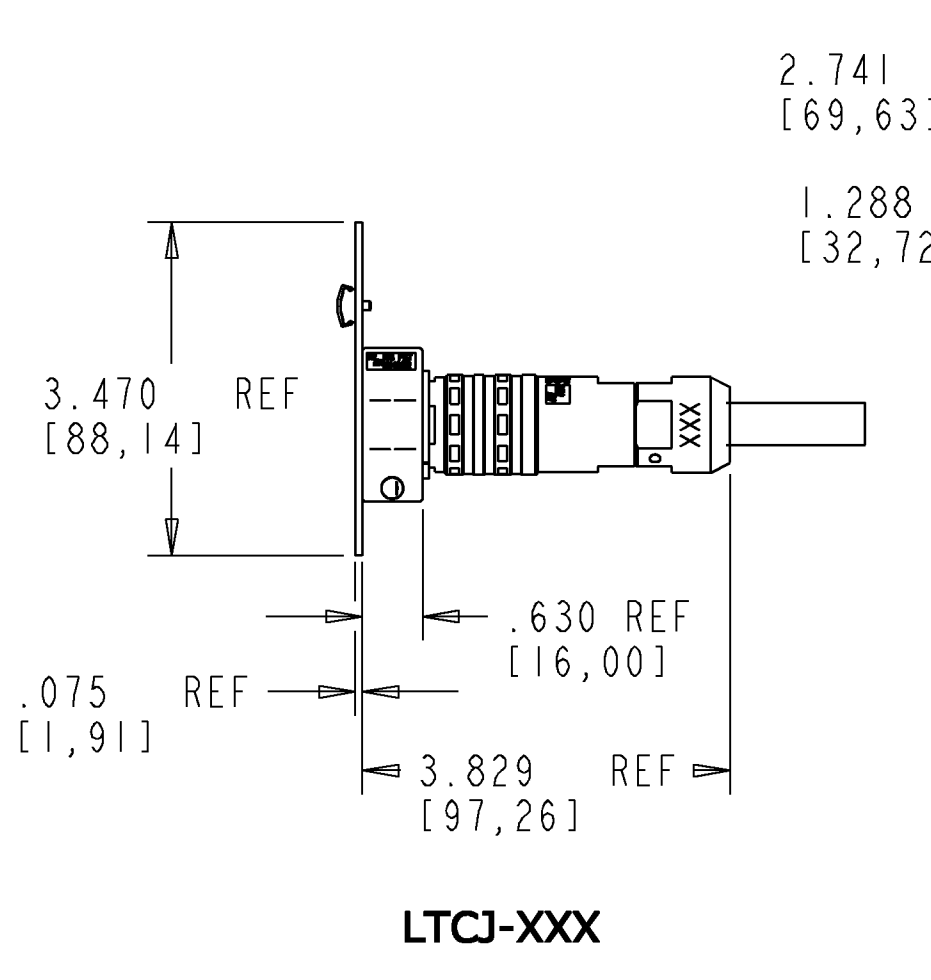
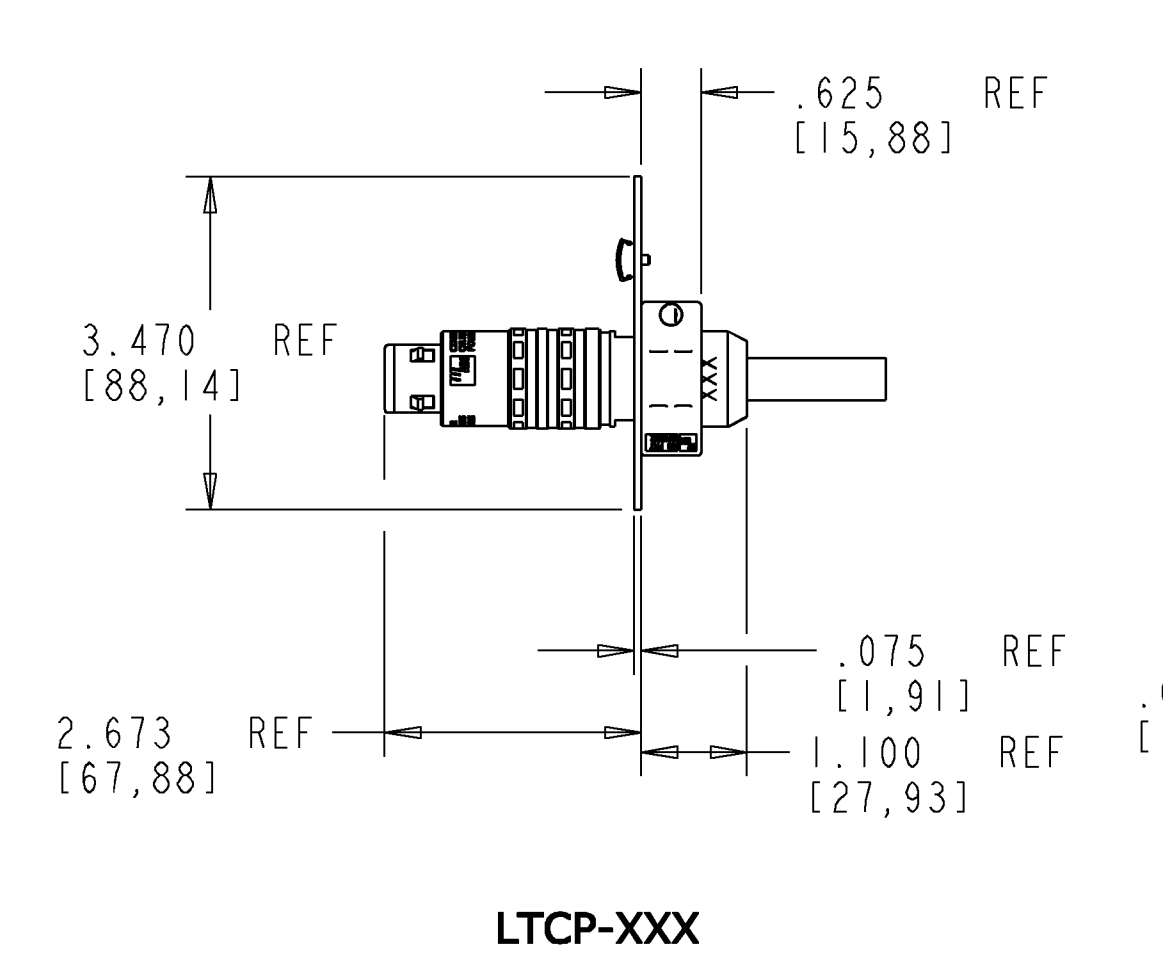
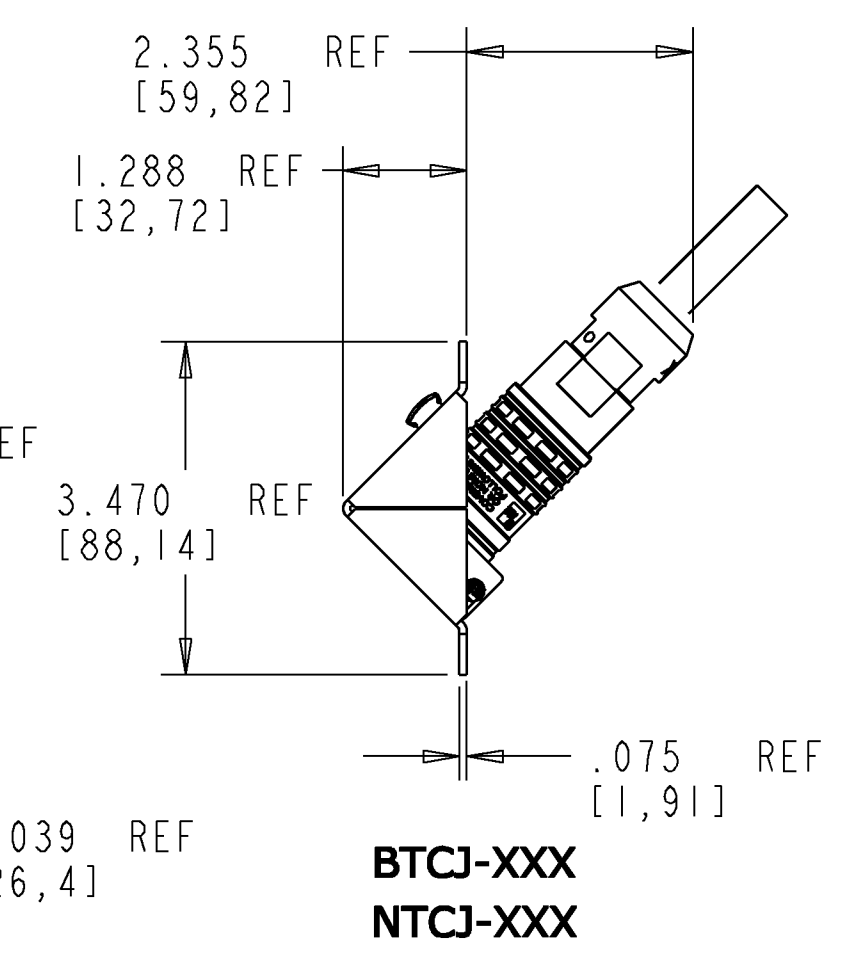
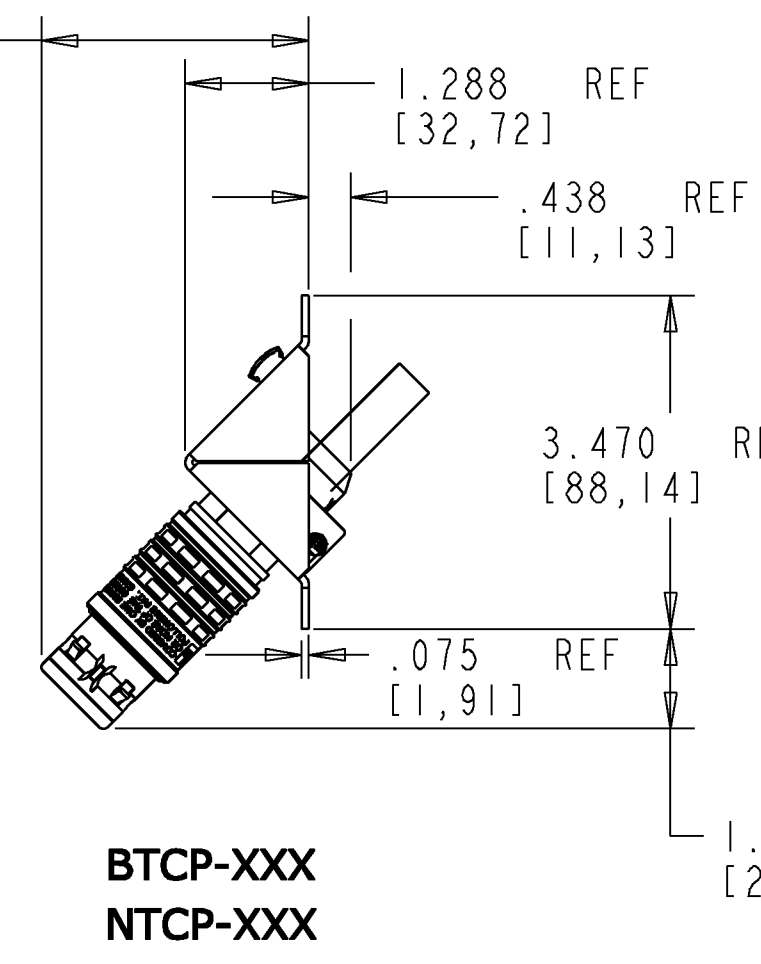
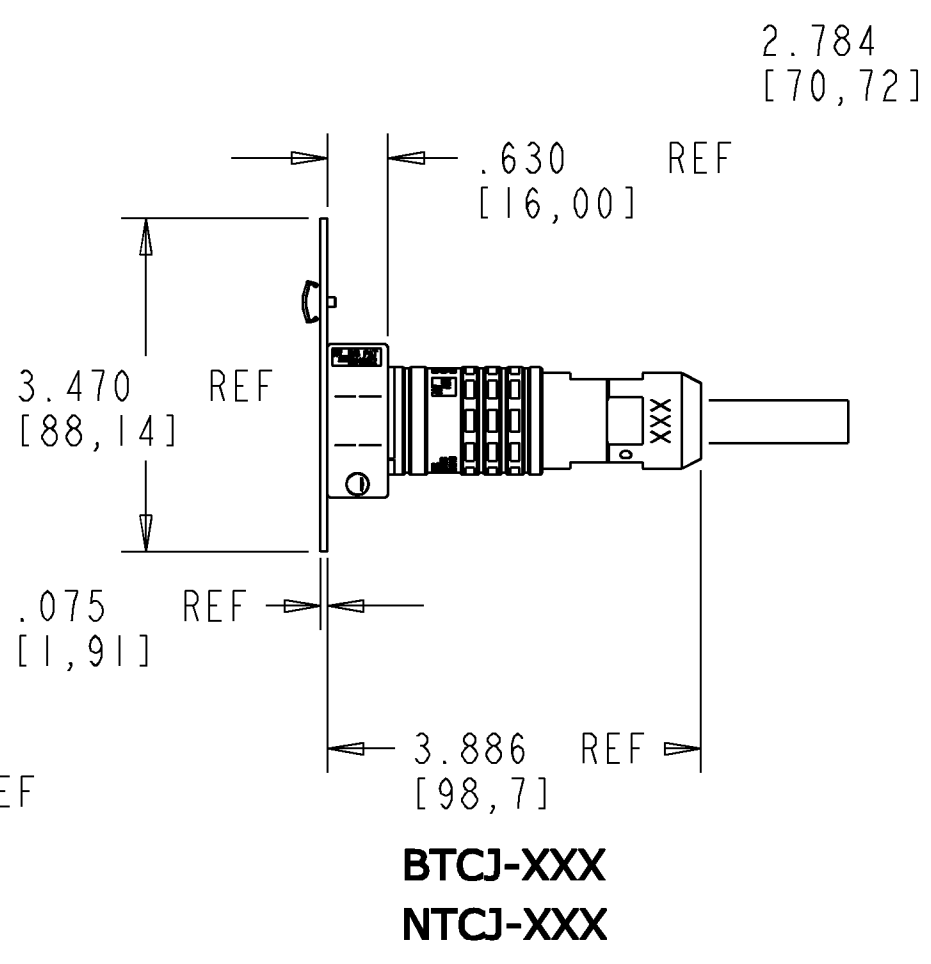
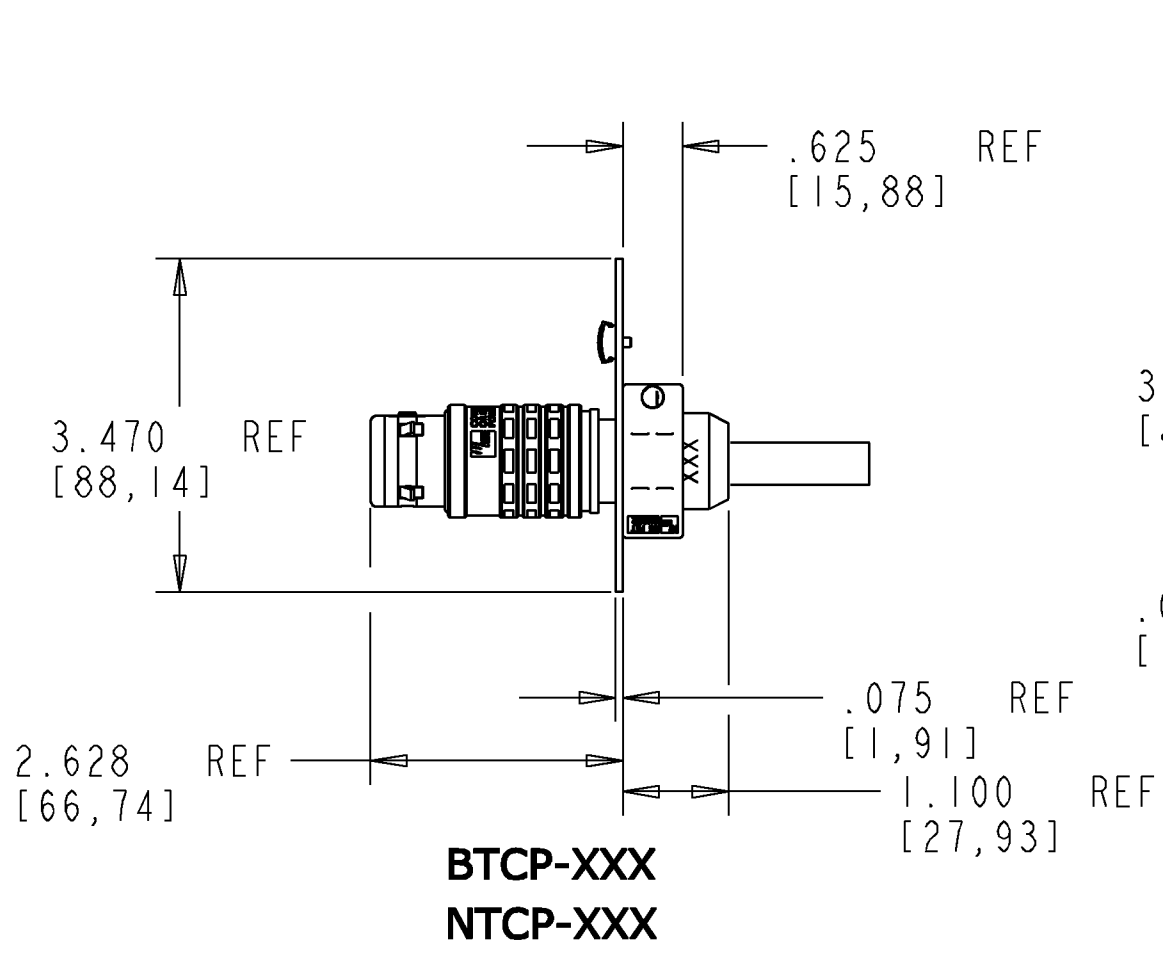
YOKE ADAPTER KITS FOR ADC CATALOG NUMBERS. INCLUDES TWO HALF YOKE ADAPTER CLAMPS PER KIT.

GTCJ-YA	GTCJ-XXX
LTCJ-YA	LTCJ-XXX DTCJ-XXX DTCP-XXX JTCJ-XXX



INFORMATION ON THIS DOCUMENT IS PROPRIETARY TO ADC AND SHALL NOT BE USED, COPIED, REPRODUCED OR DISCLOSED IN WHOLE OR IN PART WITHOUT WRITTEN CONSENT OF ADC.	TITLE	PROAX TRIAX CONNECTORS MOUNTING SOLUTIONS INSTALLATION DRAWING	
ALL DIMS AND TOLERANCES .XX:±.XX ARE INCHES UNLESS OTHERWISE SPECIFIED ANGULAR:±N/A	C SIZE	DRAWING NUMBER	B REV
DO NOT SCALE DRAWING	ENGR: K. SKLUACEK DWN: R. DEMULLING	1373697	
		SHT. 3 OF 7	

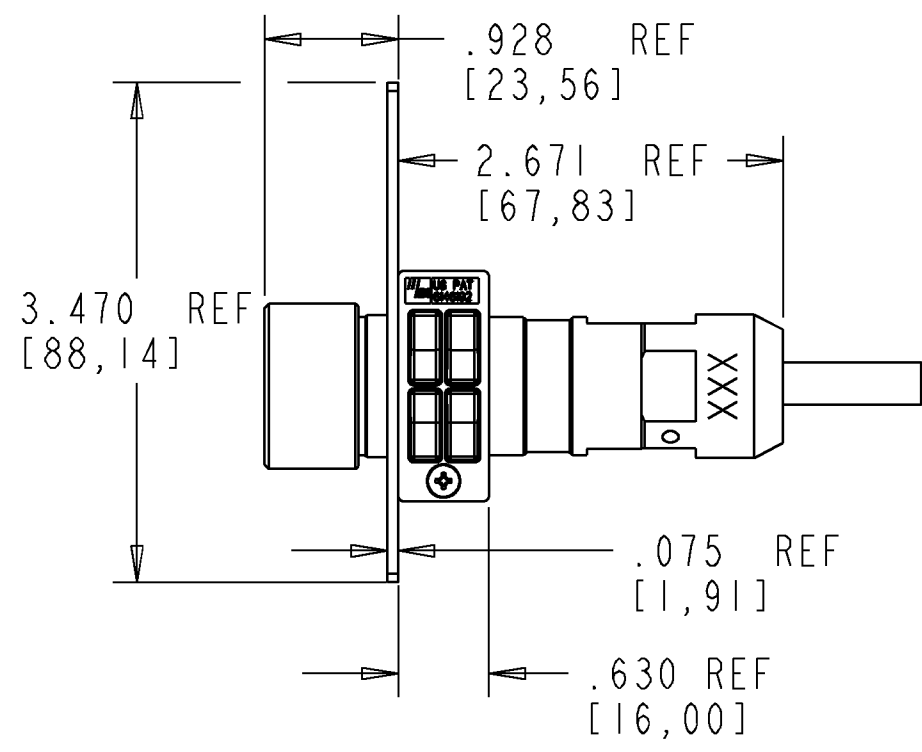
**DIMENSIONS IN INCHES
THIRD ANGLE PROJECTION**



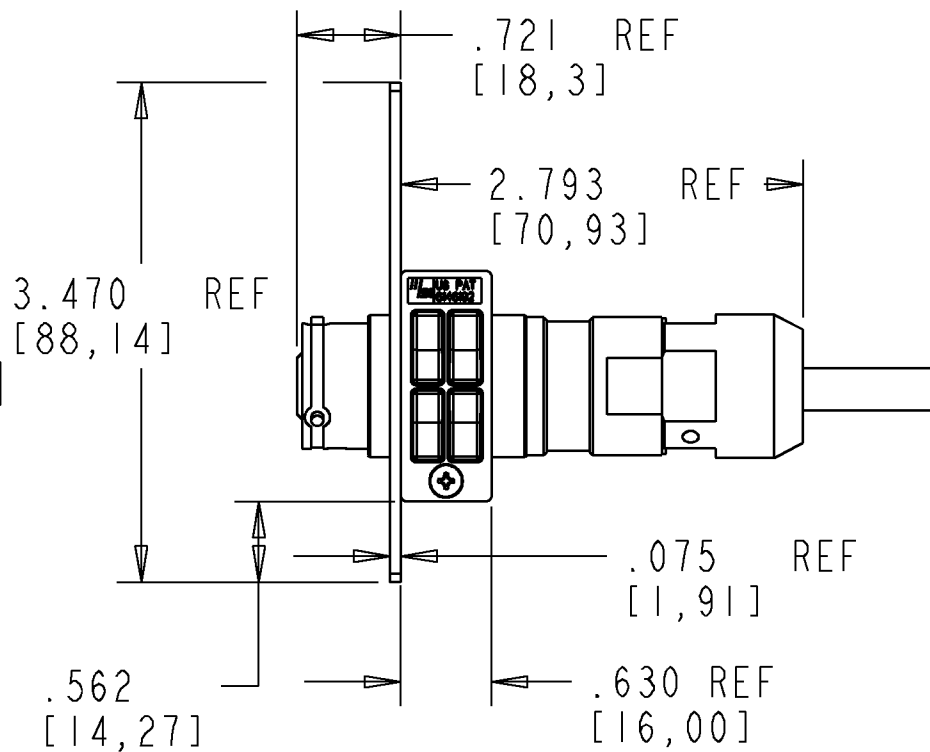
INFORMATION ON THIS DOCUMENT IS PROPRIETARY TO ADC AND SHALL NOT BE USED, COPIED, REPRODUCED OR DISCLOSED IN WHOLE OR IN PART WITHOUT WRITTEN CONSENT OF ADC.
 ALL DIMS AND TOLERANCES ARE INCHES UNLESS OTHERWISE SPECIFIED
 .XX:±.XX
 .XXX:±.XXX
 ANGULAR:±N/A

TITLE PROAX TRIAX CONNECTORS MOUNTING SOLUTIONS INSTALLATION DRAWING		DRAWING NUMBER 1373697	B REV
ENGR: K. SKLUACEK DWN: R. DEMULLING		SHT. 4 OF 7	

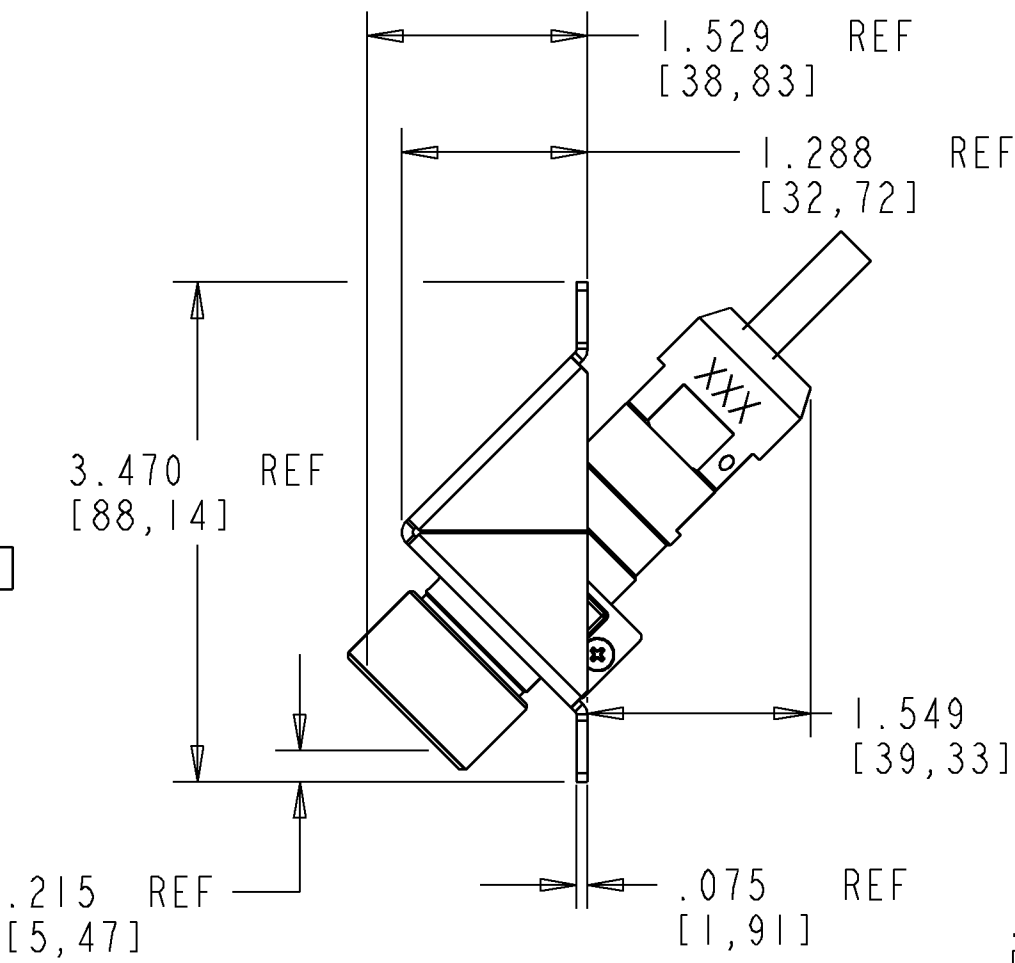
**DIMENSIONS IN INCHES
THIRD ANGLE PROJECTION**



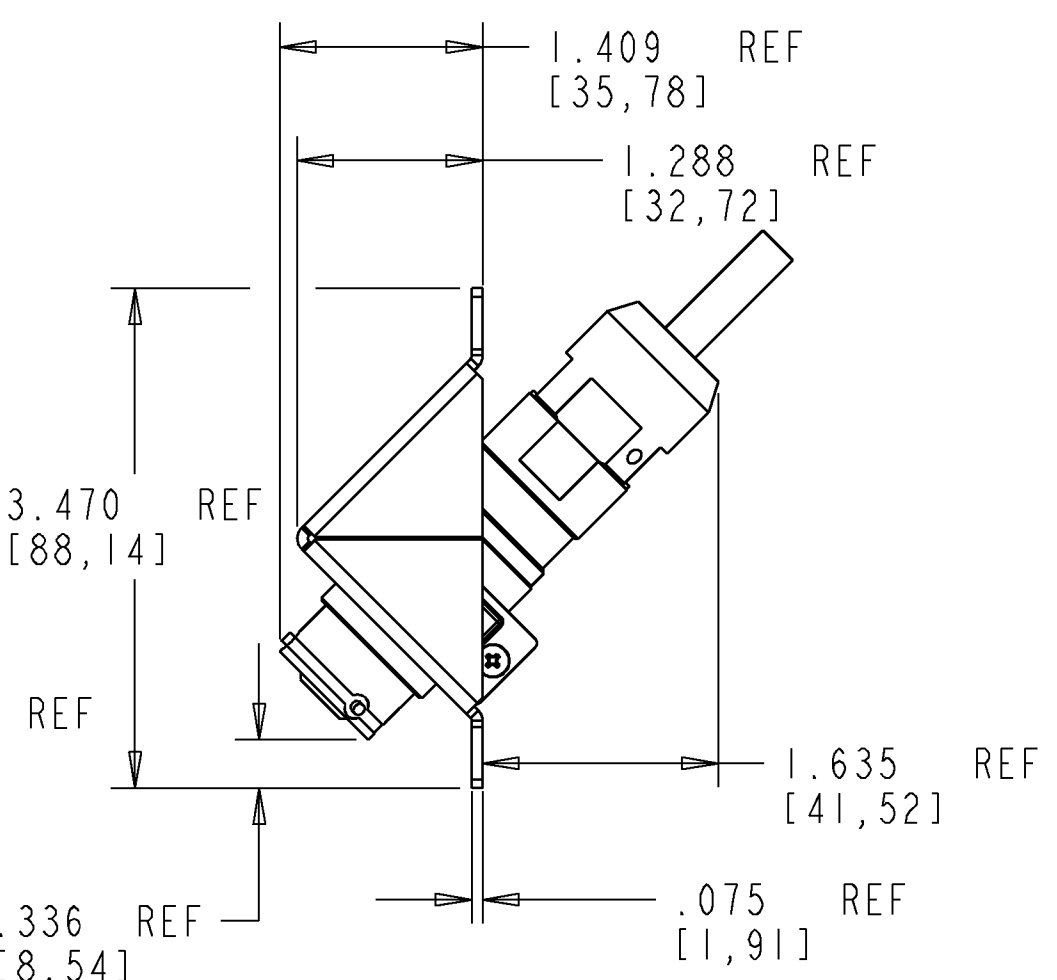
DTCJ-XXX



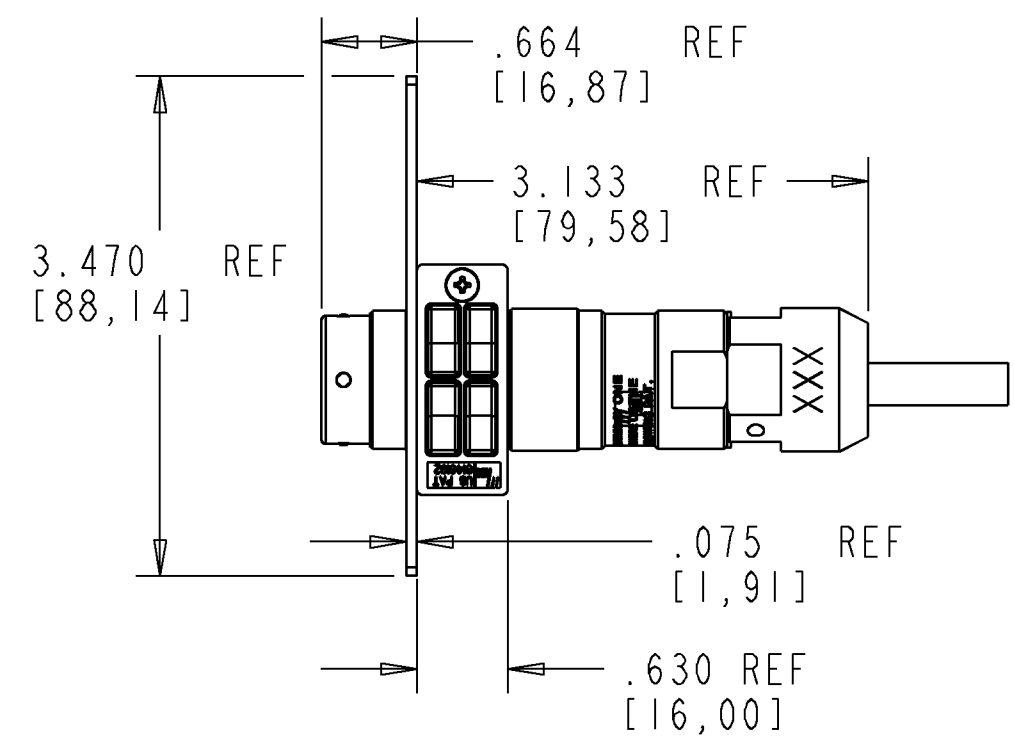
DTCP-XXX



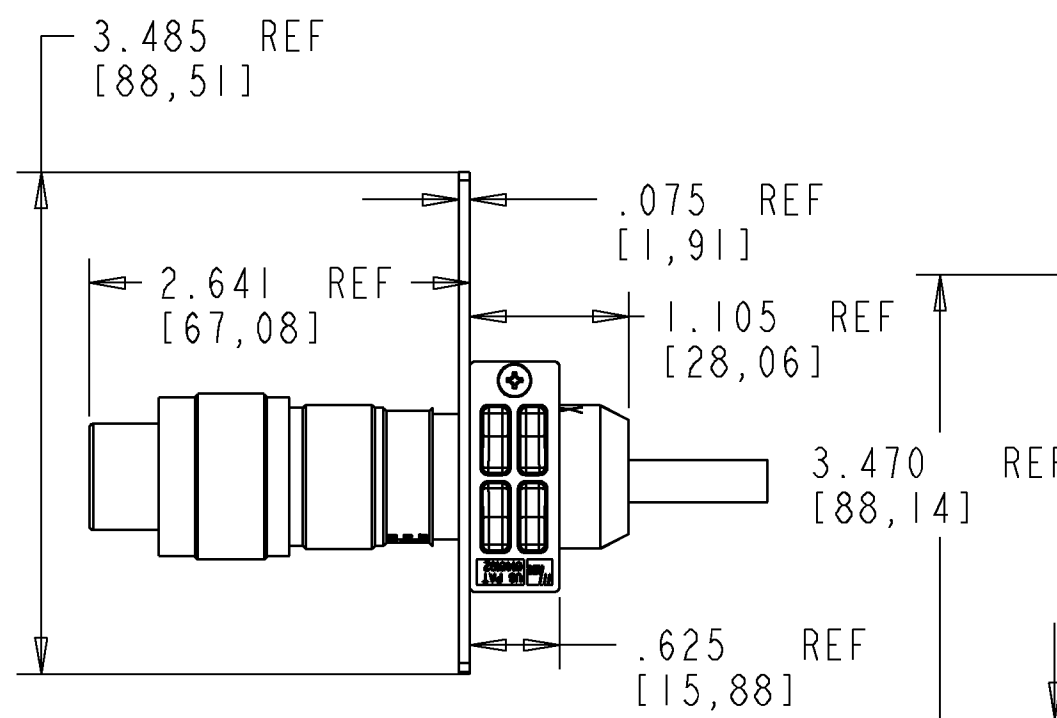
DTCJ-XXX



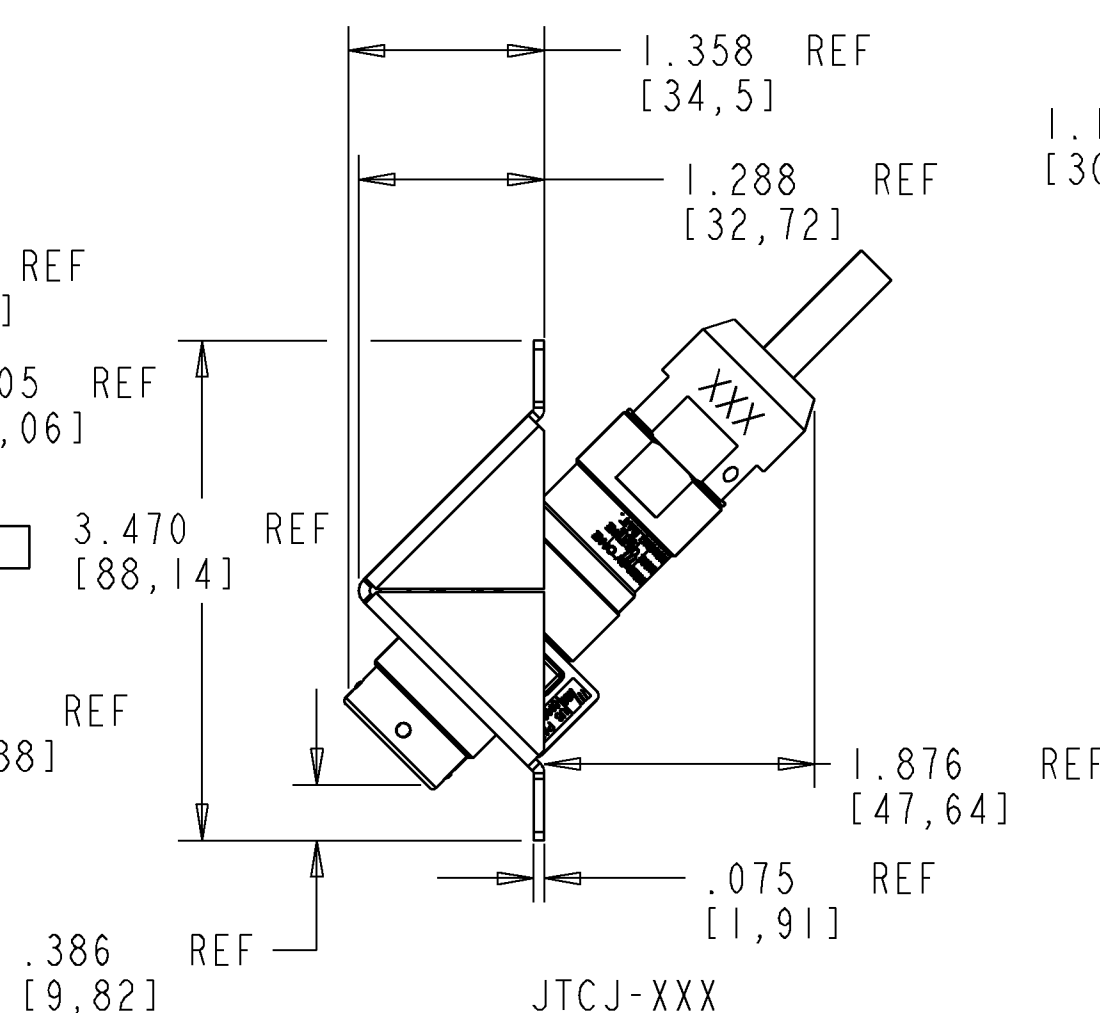
DTCP-XXX



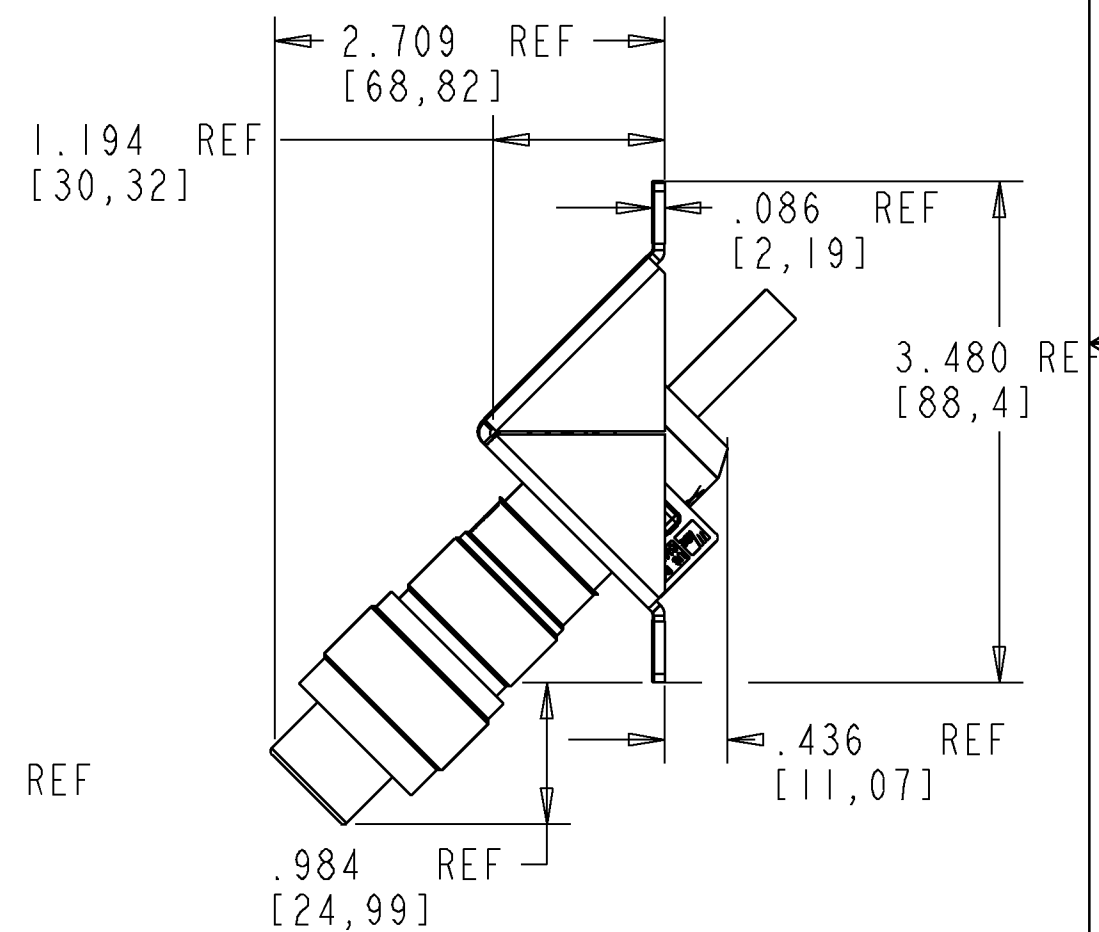
JTCJ-XXX



JTCP-XXX



JTCJ-XXX



JTCP-XXX



INFORMATION ON THIS DOCUMENT IS PROPRIETARY TO ADC AND SHALL NOT BE USED, COPIED, REPRODUCED OR DISCLOSED IN WHOLE OR IN PART WITHOUT WRITTEN CONSENT OF ADC.
 ALL DIMS AND TOLERANCES .XX:±.XX ARE INCHES UNLESS .XXX:±.XXX OTHERWISE SPECIFIED ANGULAR:±N/A
 DO NOT SCALE DRAWING

TITLE PROAX TRIAX CONNECTORS MOUNTING SOLUTIONS INSTALLATION DRAWING
 DRAWING NUMBER 1373697
 ENGR: K. SKLUACEK
 DWN: R. DEMULLING
 SHT. 5 OF 7

DIMENSIONS IN INCHES
 THIRD ANGLE PROJECTION

A

B

C

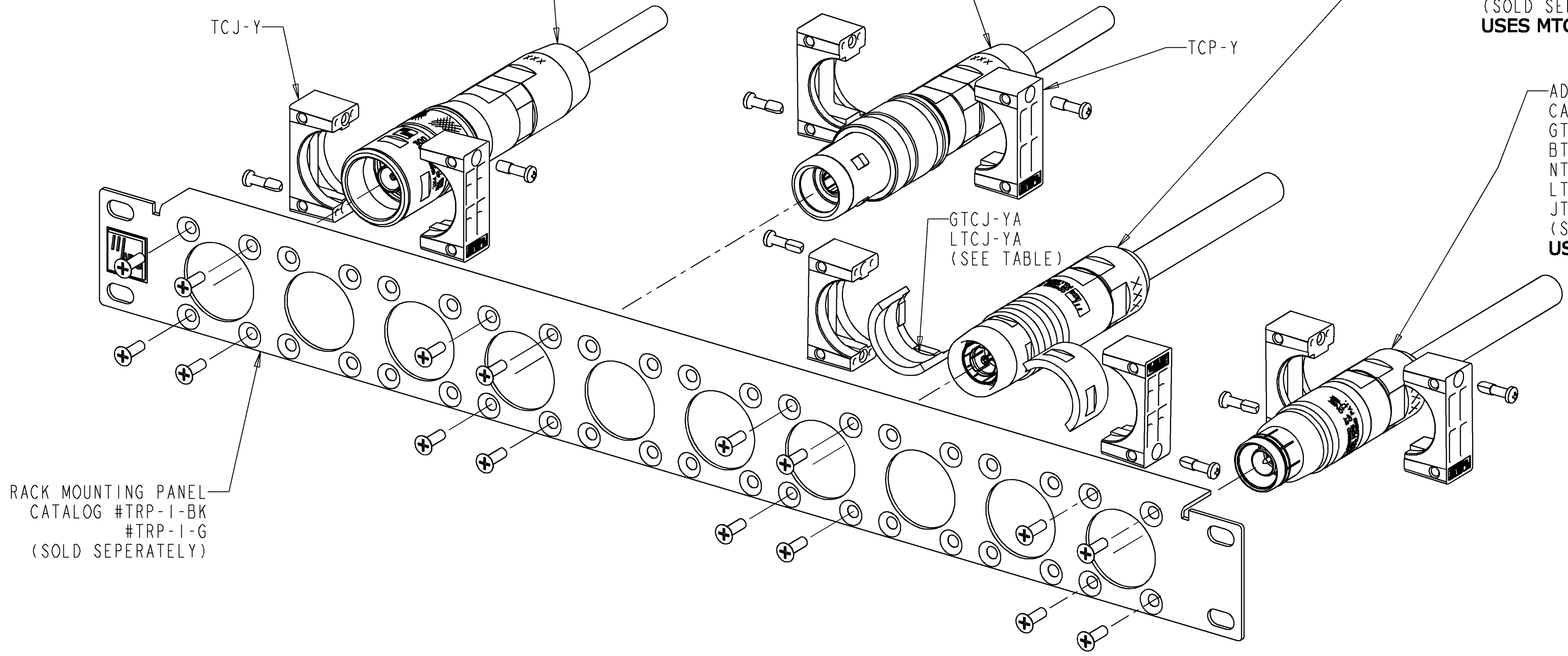
D

ADC TRIAX JACK
 CATALOG SERIES
 TCJ-XXX
 BTCJ-XXX
 NTCJ-XXX
 (SOLD SEPARATELY)
 USES MTG KIT TCJ-Y

ADC TRIAX PLUG
 CATALOG SERIES TCP-XXX
 (SOLD SEPARATELY)
 USES MTG KIT TCP-Y

ADC TRIAX
 CATALOG SERIES
 GTCJ-XXX
 LTCJ-XXX
 DTCP-XXX
 DTCJ-XXX
 JTCJ-XXX
 (SOLD SEPARATELY)
 USES MTG KIT TCJ-Y

ADC TRIAX
 CATALOG SERIES
 GTCP-XXX
 BTCP-XXX
 NTCP-XXX
 LTCP-XXX
 JTCP-XXX
 (SOLD SEPARATELY)
 USES MTG KIT TCP-Y



RACK MOUNTING PANEL
 CATALOG #TRP-1-BK
 #TRP-1-G
 (SOLD SEPERATELY)

**YOKE CLAMP KITS FOR
 ADC CATALOG NUMBERS.
 INCLUDES TWO HALF YOKE
 CLAMPS PER KIT.**

* TCJ-Y	TCJ-XXX BTCJ-XXX NTCJ-XXX **GTCJ-XXX **LTCJ-XXX **DTCJ-XXX **DTCP-XXX **JTCJ-XXX
---------	---

**YOKE ADAPTER KITS FOR
 ADC CATALOG NUMBERS.
 INCLUDES TWO HALF YOKE
 ADAPTER CLAMPS PER KIT.**

GTCJ-YA	GTCJ-XXX
LTCJ-YA	LTCJ-XXX DTCJ-XXX DTCP-XXX JTCJ-XXX

* TCP-Y	TCP-XXX GTCP-XXX BTCP-XXX NTCP-XXX LTCP-XXX JTCP-XXX
---------	---

*INCLUDED IN TCM KITS (SEE SHEET ONE)
 **REQ'S YOKE ADAPTER (SOLD SEPARATELY)



INFORMATION ON THIS DOCUMENT IS
 PROPRIETARY TO ADC AND SHALL
 NOT BE USED, COPIED, REPRODUCED
 OR DISCLOSED IN WHOLE OR IN PART
 WITHOUT WRITTEN CONSENT OF ADC.

TITLE PROAX TRIAX CONNECTORS
 MOUNTING SOLUTIONS
 INSTALLATION DRAWING

ALL DIMS AND TOLERANCES .XX:±xx
 ARE INCHES UNLESS .XXX:±xxx
 OTHERWISE SPECIFIED ANGULAR:±N/A

DRAWING NUMBER 1373697

DO NOT SCALE DRAWING

ENGR: K. SKLUACEK
 DWN: R. DEMULLING

SHT. 6 OF 7

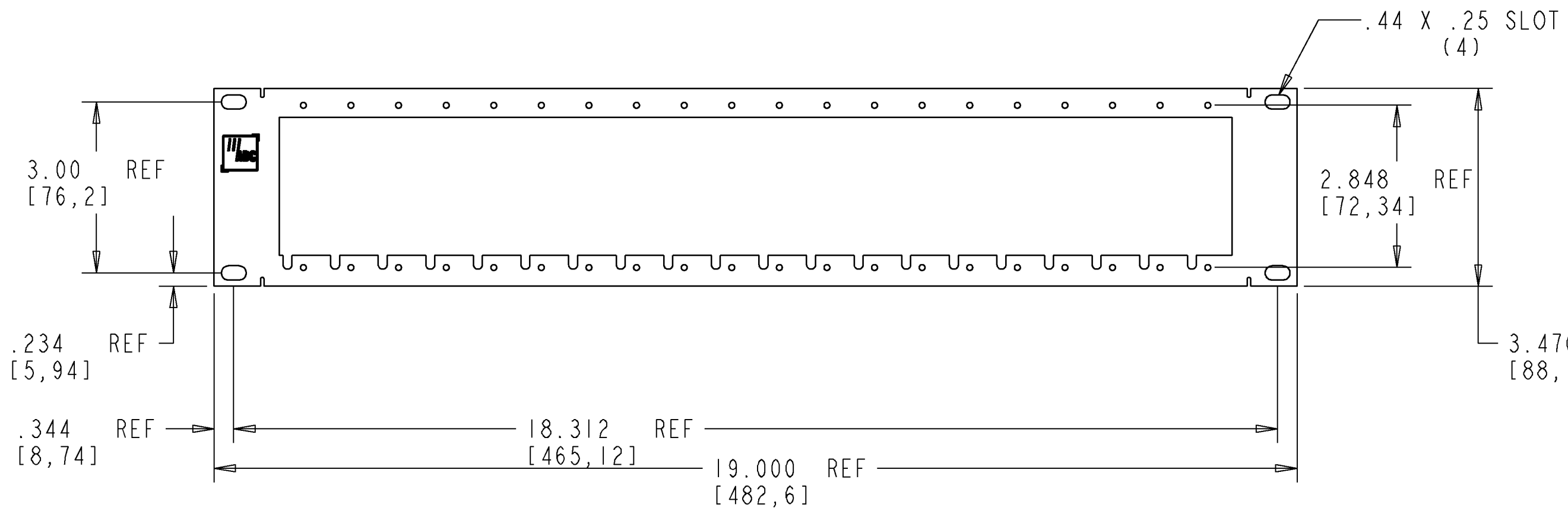
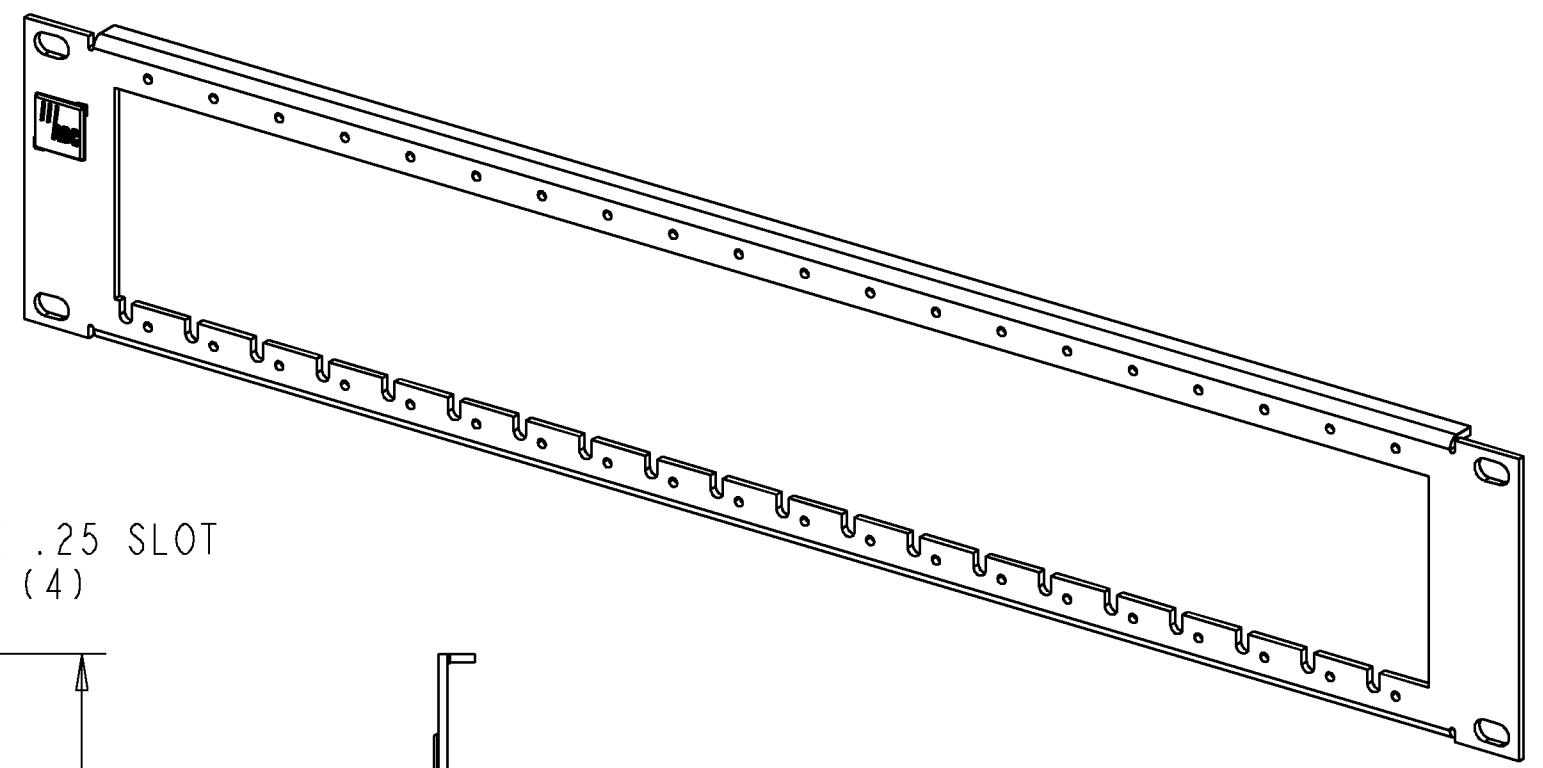
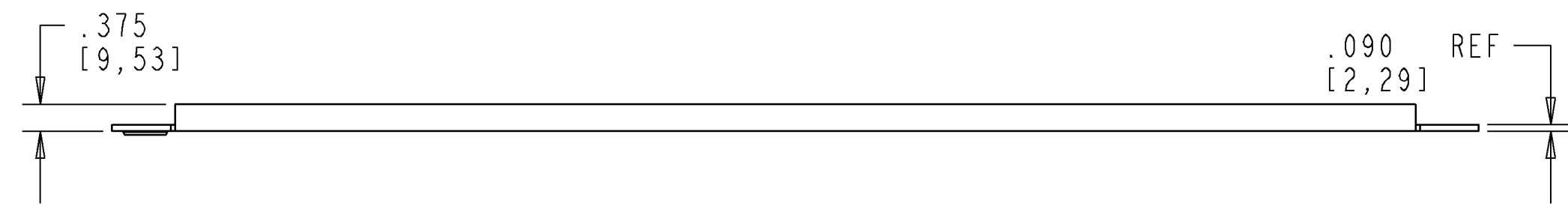
DIMENSIONS IN INCHES
 THIRD ANGLE PROJECTION

A

B

C

D



NOTES:

1. ONE COPY OF THIS DWG IS INCLUDED WITH UNIT AND SCREW #6 (40).

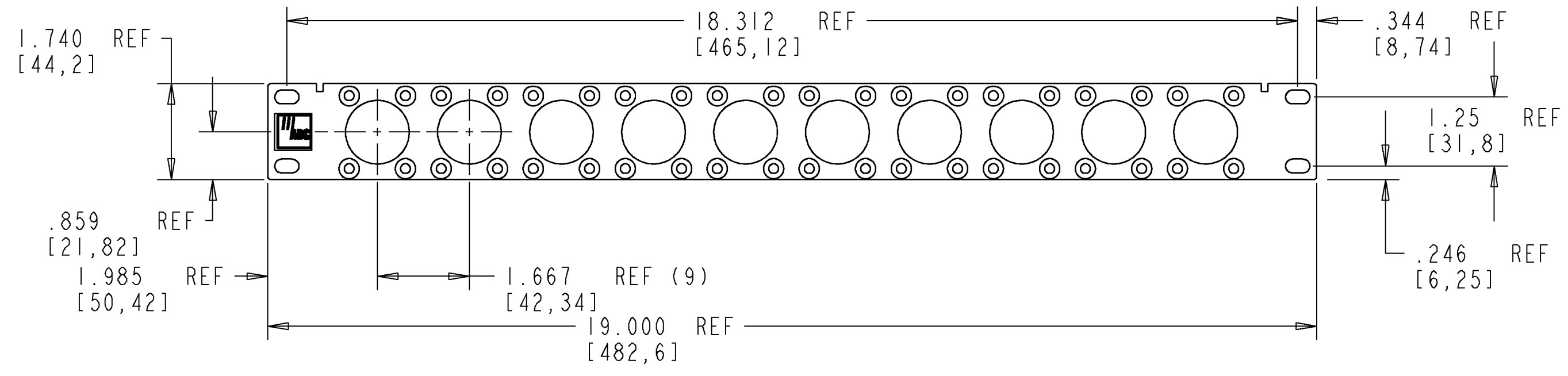
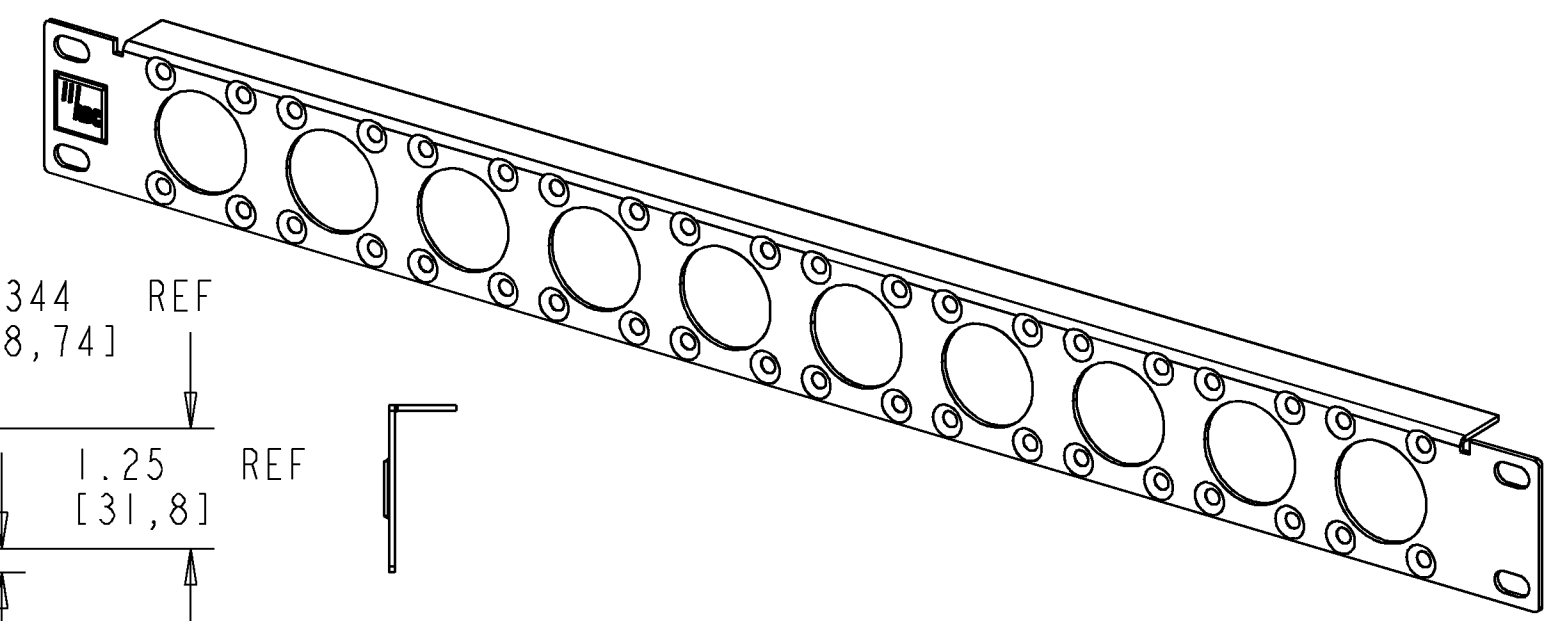
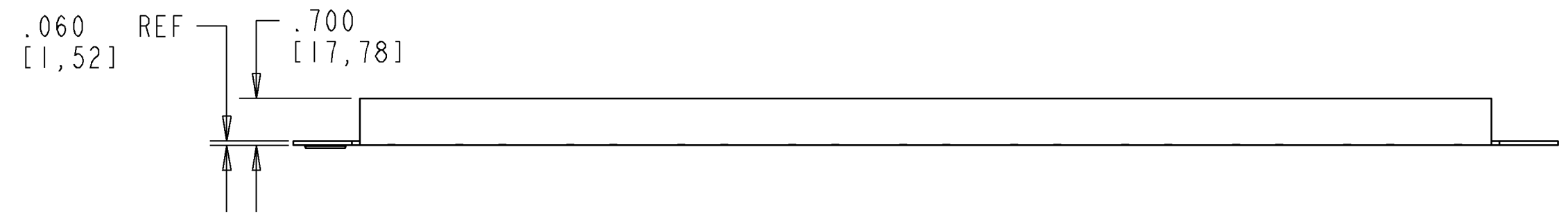
COLOR	EMPTY CHASIS ADC CATALOG NUMBERS	RACK UNITS
GRAY	TRP-2-G	2
BLACK	TRP-2-BK	2

2

2

3

3



NOTES:

- 1. ONE COPY OF THIS DRAWING IS INCLUDED WITH UNIT.
- 2. THIS PANEL HAS AN ADC VAMP (VC-1) MOUNTING PATTERN.



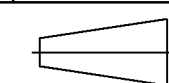
COLOR	EMPTY CHASIS ADC CATALOG NUMBERS	RACK UNITS
GRAY	TRP-1-G	1
BLACK	TRP-1-BK	1

INFORMATION ON THIS DOCUMENT IS PROPRIETARY TO ADC AND SHALL NOT BE USED, COPIED, REPRODUCED OR DISCLOSED IN WHOLE OR IN PART WITHOUT WRITTEN CONSENT OF ADC.		TITLE PROAX TRIAX CONNECTORS MOUNTING SOLUTIONS INSTALLATION DRAWING	
ALL DIMS AND TOLERANCES ARE INCHES UNLESS OTHERWISE SPECIFIED	.XX:±xx .XXX:±xxx ANGULAR:±N/A	C SIZE	DRAWING NUMBER 1373697
DO NOT SCALE DRAWING	ENGR: K. SKLUACEK DWN: R. DEMULLING	SHT. 7 OF 7	

A

B

C



**DIMENSIONS IN INCHES
THIRD ANGLE PROJECTION**

4