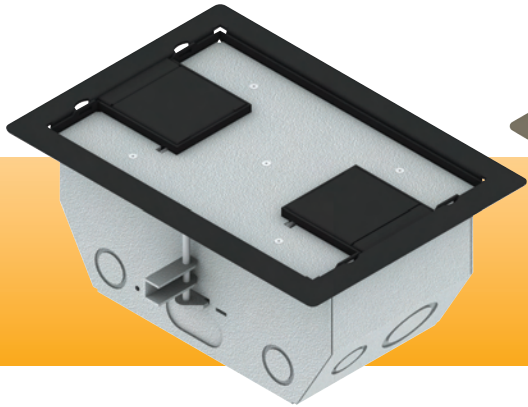
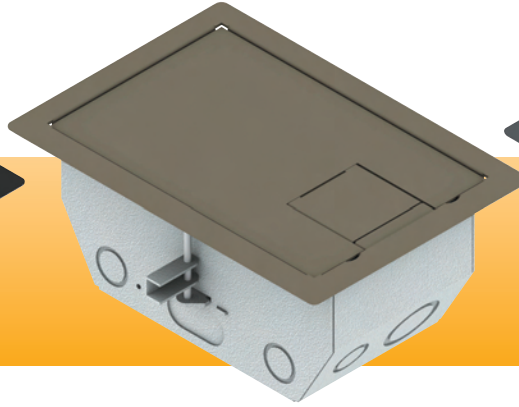


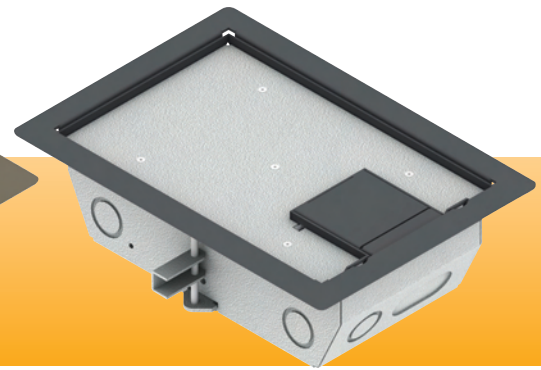
RFL4.5-D2G-BLKDD



RFL4.5-D1G-CLY



RFL3-D1G-GRY



DESCRIPTION

The RFL Series D Raised Access Floor Boxes are designed for flexibility, durability and style. These rugged units safely handle the rigors of high traffic floor environments. There are three cover styles to choose from: Single door carpet trim cover, dual door carpet trim cover or a single door solid cover.

All cover styles are available in three colors with custom colors available on request (Consult factory).

All Series D models feature all steel construction for durability and are designed to install in a 6½" X 9¼" opening in the floor. They are available in either 4⅛" or ¾" box depths.

The RFL4.5-D2G is a 4⅛" deep floor box with two standard double gang openings on opposite sides of the box. Either or both of the compartments may be used for power or data.

The RFL4.5-D1G is a 4⅛" deep floor box with two standard single gang openings on opposite sides of the box and 1 single gang opening on the bottom for data. The data plate insert is removable for added room in the box.

The RFL3-D1G is a ¾" deep floor box with 2 standard single gang openings on opposite sides of the box. Either or both of the compartments may be used for power or data.

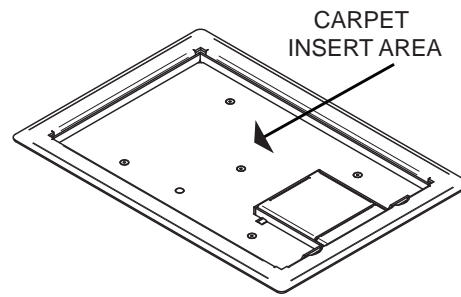
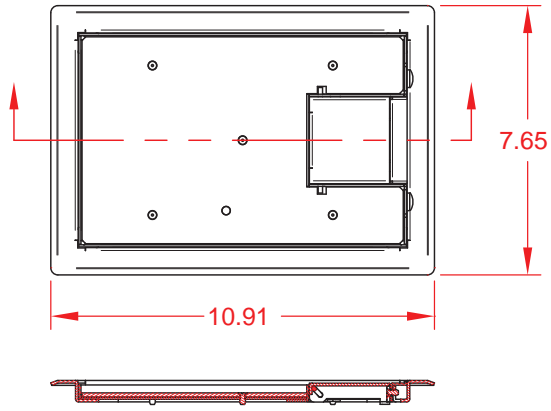
FEATURES

The RFL Series D features:

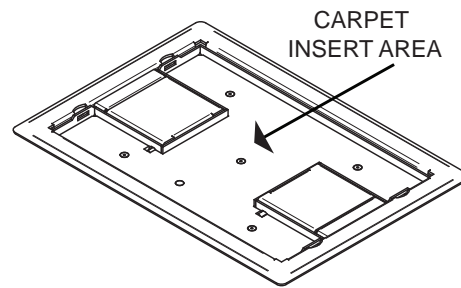
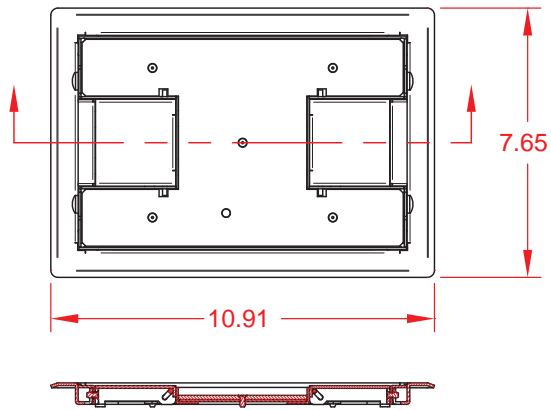
- Patented epoxy wrinkle powder finish, available in 3 colors
- Choice of three cover styles; solid, single-door and dual-door
- 14-gauge steel construction
- Cover thickness ⅜"
- Oversize cable door(s)
- Standard electrical plate openings on all models
- Superior mounting clamp design to handle a wide variety of floor thicknesses
- Listed by UL to meet US and Canadian safety standards
- Large multi-compartment boxes for power, audio, video, data and more!
- Multiple knockouts in a variety of sizes
- Choice of two box depths
- Choice of two gang layout styles

Architectural Note: The carpet rim and cable exit door are available standard in gray, black, or clay. Custom finishes are also available as an option. Optional 1" x 2" KO gromet FSR part #13342.

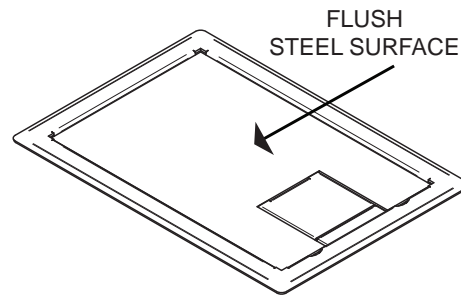
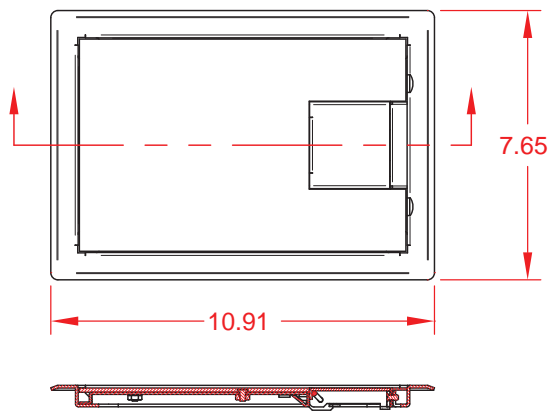
RFL-D Cover Dimensions



SINGLE DOOR



DUAL DOOR



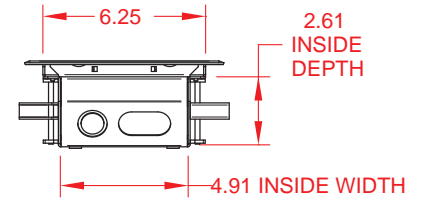
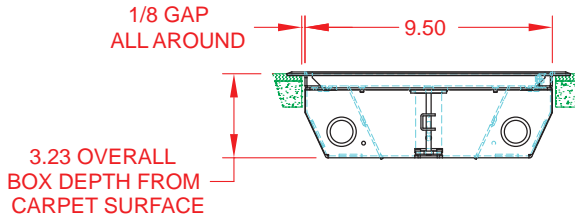
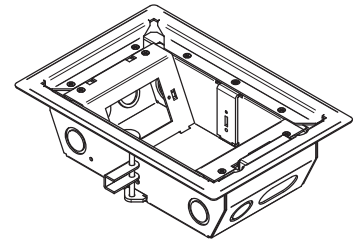
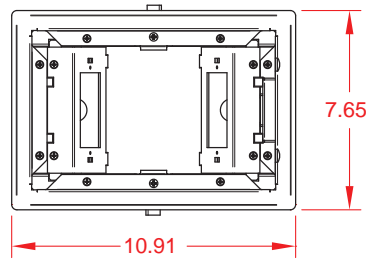
SOLID COVER

RFL-D General Dimensions

RFL3-D1G

9.75 x 6.50
FLOOR HOLE SIZE

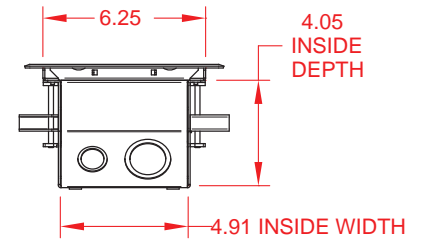
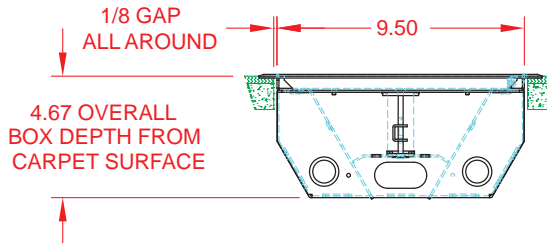
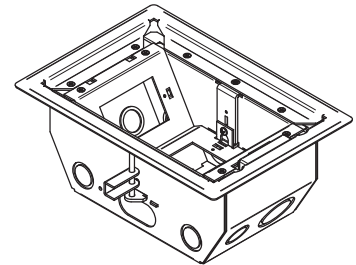
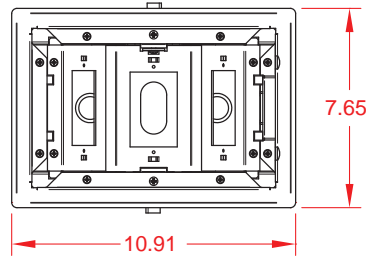
Box Volume (Less Panels) 110 cu in.
Device Compartment Volume 24 cu in.
Brackets Includes - 2 Single Gang
Number and Size of Knockouts
2 - .5" on the bottom
6 - .5" - .75" on the sides
2 - 1" x 2.5" oval on the sides
Cover Material - 16/14 ga Steel
under 11 ga Steel Support
Support flange Material -
14 g galvanized Steel
Max No of Insert Brackets -
2-single gang (Provided)



RFL4.5-D1G

9.75 x 6.50
FLOOR HOLE SIZE

Box Volume (Less Panels) 169 cu in.
Device Compartment Volume 39 cu in.
Brackets Includes -
3 Single Gang, 2 power and 1 Data
Number and Size of Knockouts
2 - .5" on the bottom
6 - .5" - .75" on the sides
2 - 1" - 1.25" on the sides
3 - 1" x 2" oval on the sides
Cover Material - 16/14 ga Steel
under 11 ga Steel Support
Support flange Material -
14 g galvanized Steel
Max No of Insert Brackets -
3-single gang
(Provided)



RFL4.5-D2G

9.75 x 6.50
FLOOR HOLE SIZE

Box Volume (Less Panels) 169 cu in.
Device Compartment Volume 39 cu in.
Brackets Includes - 2 Double Gang
Number and Size of Knockouts
2 - .5" on the bottom
6 - .5" - .75" on the sides
2 - 1" - 1.25" on the sides
3 - 1" x 2" oval on the sides
Cover Material - 16/14 ga Steel
under 11 ga Steel Support
Support flange Material -
14 g galvanized Steel
Max No of Insert Brackets -
2-double gang
(Provided)

