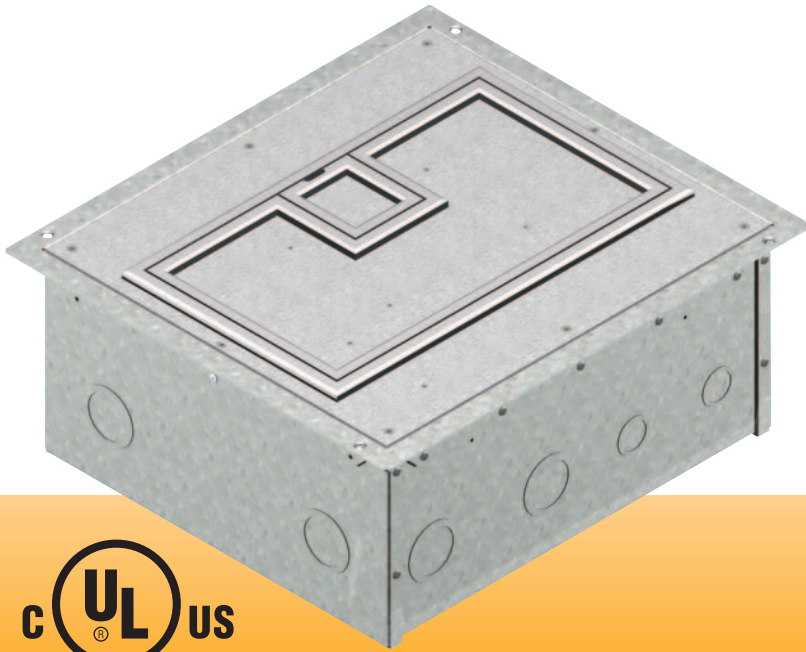


FL-640P

Raised Access Floor Box



- 11-gauge steel temporary construction cover
- 11-gauge finished steel cover with carpet edging
- Mitered brass or aluminum carpet edging .25" high
- Fold back cable exit
- Lift-off full access door
- .5", .75", 1" or 1.25" knockouts

DESCRIPTION

The FL-640P floor box is designed for conference rooms, auditoriums, courtrooms, churches and all general meeting spaces with carpeted raised access floors. The FL-640P handles power, audio, video, telecommunications and data in one elegant and practical box and is both UL and CUL Listed.

Every box is supplied with a construction cover to be used during the installation phase. When the carpet is ready to be installed, the construction cover gets thrown out and the finished cover is installed.

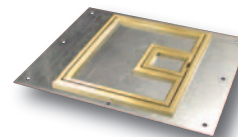
The lift-off section of the cover allows full access to internal connector plates and stored cables, and the smaller hinged cable access door flips back to create the cable exit. When the box is not in use, the box is completely closed allowing unencumbered travel in the area with only the hand-mitered, elegant carpet edge visible. The low profile edging is 1/4" high and is available in brass or aluminum.

Inside the box are two angled brackets which handle standard size plates — 2 single, 1 triple, 1 six gang opening. All are isolated for maximum safety. The FL-600P is designed to handle the rigors of a floor environment and still maintains flexibility

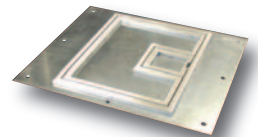
SPECIFICATIONS

Size:	Box:	13.5" x 12" x depth
	Cover:	14" x 12.5" x .125"
Edging:	Height:	.25"
	Material:	Brass or Aluminum
Weight:	Box:	20.5 lbs.
	Cover:	10 lbs.
Knockouts:	Fourteen:	either 1" or 1.25"
	Four:	either .75" or .5"

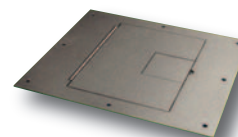
COVER OPTIONS



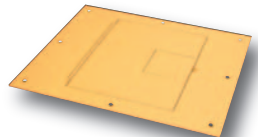
FL-640P-BLP-C



FL-640P-SLP-C



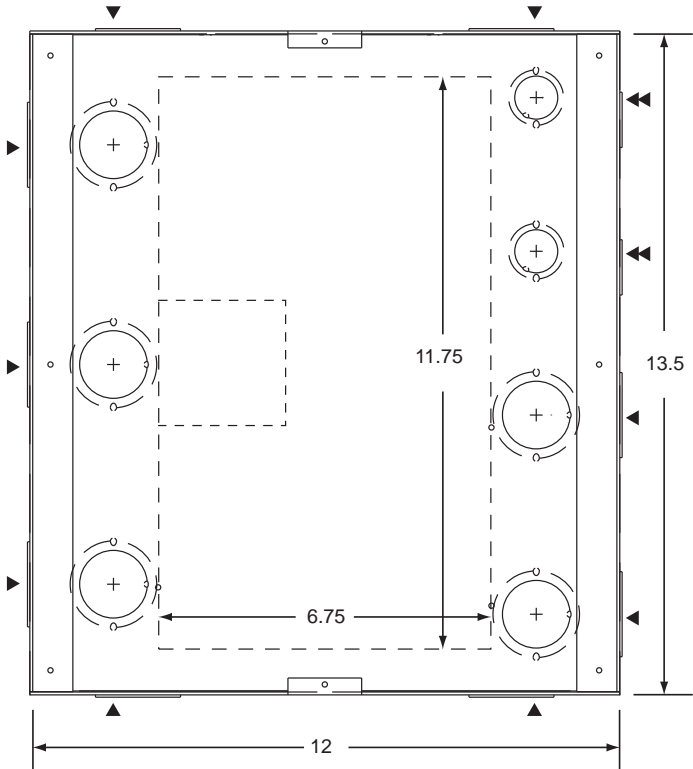
FL-640P-BLK-C



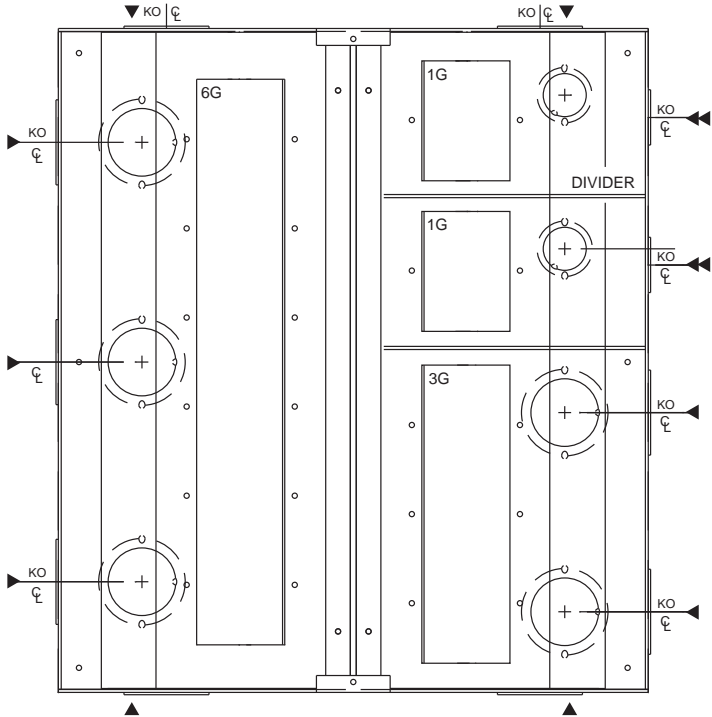
FL-640P-OAK-C

FL-640P INTERNAL BRACKET KNOCKOUT ARRANGEMENT

Top View With Door Location

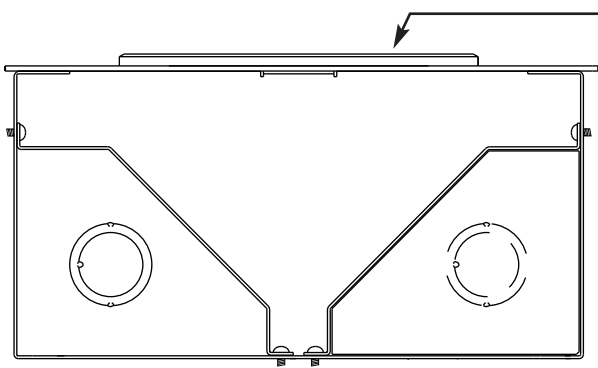


Top View With Bracket Arrangement



Note: Indicates 1" - 1 1/4" Knockout Locations
 Indicates 1/2" - 3/4" Knockout Locations

Side View Showing Internal Bracket Placement



The Two Internal Brackets Accommodate:
 2 - Single Gang Plates
 1 - Three Gang Plate
 1 - Six Gang Plate

Depth can be either 4 or 6"
 (consult factory for additional depths)