

## DESCRIPTION

The FL-1300 is a practical floor box designed for wood stage floors and computer floors. A standard 2-gang blank plate (supplied with the box) provides the contractor a perfect solution for audio, video, power or telecommunication connections.

The cover utilizes a dual door design that allows full access when making connections. Once connections are made, the door closes and the cables exit through the small cable opening. As a safety feature, the cable access door is closed when the box is not in use.

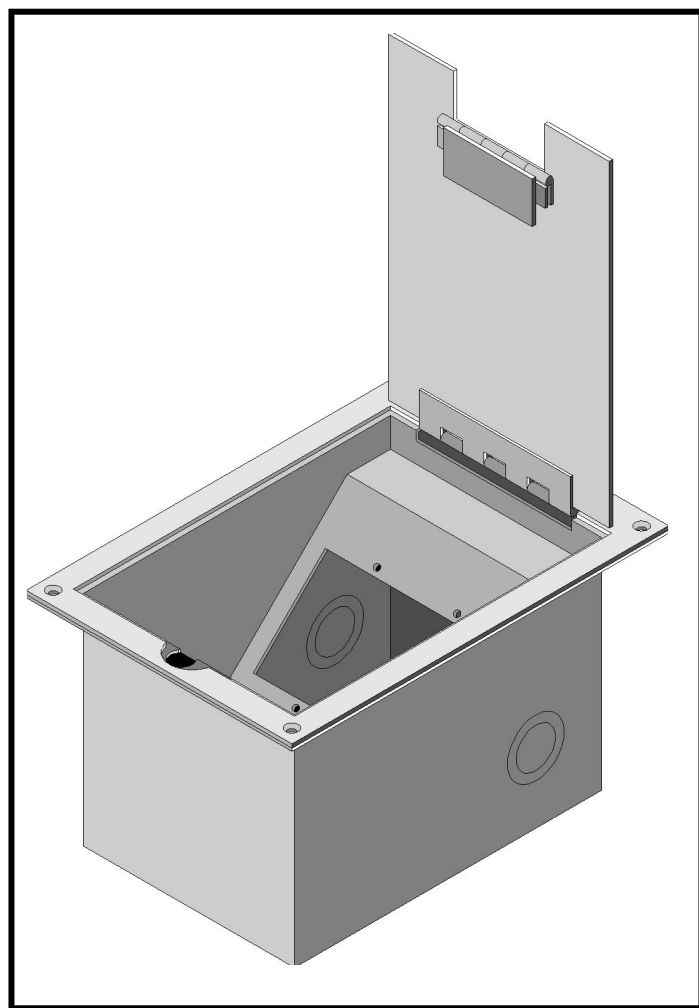
The FL-1300 cover is painted with a black or oak sandtex paint for a non-skid finish.

Knockouts are provided on the sides, rear and bottom of the box.

The FL-1300 floor box is a one piece, all welded design providing both strength and simple installation.

The FL-1300 as well as the entire FSR floor box product line is available on Autocad / DXF files.

Call today for your free disks.



## SPECIFICATIONS

### Size:

Top 8-1/2" X 6-1/8" X 1/8"

Box 5-1/8" X 7-1/8" X 4-7/8"

**Weight:** 5 pounds

### Knockouts:

Rear 2 concentric 1/2" or 3/4"

Bottom 1 concentric 1/2" or 3/4"

Left & Right Sides 1 each concentric 1/2" or 3/4"

### Finish:

Black or Oak Sandtex paint option

# FL-1300 DIMENSIONS

